

CASE
CONSTRUCTION

CX C-SERIES HYDRAULIC EXCAVATORS

CX130C | CX160C | CX180C

TIER
4i



CX C-SERIES HYDRAULIC EXCAVATORS

CX130C | CX160C | CX180C

Clean power

Case C Series excavators use clean and efficient Tier 4 interim diesel engines.

Equipped with Cooled Exhaust Gas Recirculation (CEGR) and a diesel particulate filter, the engine is capable of meeting emissions regulations without the need for additional diesel exhaust fluids.

Automatic self-regeneration of the Diesel Particulate Diffusor (DPD) ensures no loss of productivity, while low engine rpm, improved hydraulic pump control and five new energy saving systems boost fuel economy by up to 15%.

A green economy gauge can be activated in the cab to inform the operator of the most economical operating mode setting for the machine, reporting fuel consumption in real-time.





CX C-SERIES HYDRAULIC EXCAVATORS

CX130C | CX160C | CX180C

Advanced energy management

Through the use of 5 new fuel saving functions, C series excavators speed up productivity and substantially improve fuel economy. The new systems include:

Boom Economy Control (BEC)

Increased fuel efficiency during boom lower and swing operations.

Automatic Economy Control (AEC)

Improved fuel efficiency when servo joysticks are in neutral position and the operator is not calling for power from the machine.

Swing Relief Control (SWC)

Carefully manages the hydraulic power distribution at slewing operations, to provide the most efficient flow and pressure.

Spool Stroke Control (SSC)

Creates an automatic pressure adjustment during digging and leveling operations.

It saves fuel, while improving controllability for the operator in fine digging operations.

Idle functions:

All C-series excavators also feature Auto Idle and Idle Shut Down systems.

When activated, Auto Idle automatically lowers engine revs, whatever the throttle position, when the levers have been inactive for 5 seconds.

Manually, Idle can be activated by a switch on the joystick. Idle shut down, when activated, shuts down the engine when there has been no activity for 3 minutes, resulting in additional fuel savings.





Increased productivity

As part of the Case Intelligent Hydraulic System all Case C Series excavators benefit from improvements in performance and productivity.

Lifting capacity is increased and cycle times have been cut. Individual operating weights are slightly increased to cope with the additional digging and loading forces, ensuring stable, consistent high production for the customer.

Bucket and boom down regeneration systems feed hydraulic oil back to the supply side of the pump, reducing the requirement for engine power.

The C Series excavators use the familiar working mode control from the B Series machines, making it easy for the operator to become familiar with the new models. The Super Power Mode provides a 5% boost when required for maximum digging ability.

The new monitor in the C Series machines provides operators with the chance to pre-programme auxiliary hydraulic flow and pressure settings (option) for up to 10 attachments, providing rapid changeover and increased productivity.



CX C-SERIES HYDRAULIC EXCAVATORS

CX130C | CX160C | CX180C



Tier 4 interim: lower consumption, top durability

The new Isuzu 4-cylinder engine meets EPA's Tier 4 interim without a need for additional diesel exhaust fluid.

The cooled exhaust gas recirculation (CEGR) in dual layer design effectively reduces NOx while PM is reduced by a diesel particulate filter (DPF) in combination with the variable geometry turbocharger. A diesel oxidation catalyst (DOC) treats carbon monoxide, hydrocarbons and other compounds.

Both components are integrated in the DPD (Diesel Particle Diffusor). Automatic self regeneration speeds your productivity - you can go on working as usual without stopping for the regeneration process of the particle diffusor. Side by side coolers, intercooler and the fuel cooler are now even more efficient thus further increasing our well appreciated durability.

A look under the hood immediately confirms an extremely efficient use of space: the engine, the cooling system and the exhaust system are all designed and grouped so as to take advantage of all the available space, while also granting excellent serviceability and operator visibility.

A ECO gauge can be activated on the new multifunction screen to inform you instantly about the key parameters concerning fuel economy and fuel consumption. Low engine rpm in combination with further improved pump torque control and further 5 new energy saving systems reduces the fuel consumption further by up to 10%.



First class serviceability

All filters and regular fill points are grouped for easy access, with engine oil change intervals set at 500 hours. A synthetic filter is used for the hydraulic oil, providing 5,000 hour intervals, and all pins and bushes (except the bucket pin) use the Case Extended Maintenance System bushings, allowing greasing intervals of up to 1,000 hours.

The radiator and cooler cores are mounted side by side, to allow easy access for cleaning and more efficient cooling. A 100 litre/min refuelling pump with automatic cut off is provided as standard, reducing downtime for regular fills.

The Japanese-built Case excavators boast an enviable reputation for reliability and durability, which looks set to continue with the new C Series of CX class crawler excavators.

CX C-SERIES HYDRAULIC EXCAVATORS

CX130C | CX160C | CX180C

First class operator environment

The C Series cab is 7% larger than the previous models and uses a smaller top beam and no overlap in the front windows to offer improved all round visibility. Noise levels are reduced to almost automotive standards, around 70dB(A), while the operator has a suspension seat and fully adjustable levers as standard. Travel pedals require less effort, reducing fatigue for the operator.

The ROPS/FOPS level 1 certified cab sits on new suspension mounts. To reduce vibration for the operator and contribute to the lower internal noise levels.

The cab has a powerful air conditioning system with 25% more airflow and an 8% increase in performance.

New mirrors and a standard rear view camera, with optional side camera, improved 178 mm LED monitor inside the cab, providing the operator with a safe and secure working environment.





Full colour multifunction monitor

The standard 178 mm LED monitor provides all of the information that the operator needs at a glance. Easy to use buttons guide the operator through the screen functions and the monitor can be split to show the standard rear view, and optional side view camera images.

Information includes working mode, travel speed, working lights, attachment choice, time and working hours, along with system data such as coolant and hydraulic oil temperatures, fuel level and the condition of the particulate filter and the auto-regeneration function.

When selected, the ECO gauge displays the function of the various energy saving systems, allowing the operator to maximise efficiency and save fuel.

The monitor can be set to work in one of 20 languages, and is also used by service technicians to access onboard diagnostic functions.



SiteWatch™



The Science Bit

The Case SiteWatch telematics system uses a high-tech control unit mounted on each machine to collate information from that machine and from GPS satellites. This data is then sent wirelessly through the mobile communication networks to the Case Telematics Web Portal.



SiteWatch: Centralised Fleet Control Benefits At Your Fingertips

Measure your true asset availability and optimise it

- Eliminate the “phantom fleet”: SiteWatch allows to identify spare units or under loaded machines on each site.
- Become able to reallocate units where they are more needed.
- Forward Maintenance Planning is easier since the actualised working hours are always available.
- Extend the benefits of SiteWatch to the rest of your fleet: SiteWatch can be installed on the units of other brands as well.

Challenge your Total Cost of Ownership!

- Being able to compare the fuel usage of different machine types will allow you choose the right equipment.
- Save on transport costs with planned and grouped maintenance tasks.
- Peace of mind, optimised uptime and lower repair costs: with preventive maintenance you can for example be alerted if the engine needs to be serviced and avoid a disruptive breakdown.
- Be able to compare your asset Return On Investment on different sites.
- Your equipment is used only during working hours. You can set up alerts so that you know if it is in use during the weekend or at night.
- Integrate with the programmed maintenance package, so that you can be sure every machine is at the right place at the right time.

More Safety, Lower Insurance Premium

- Keep thieves away: dissuade them from attacking your asset because it is geo-localised. SiteWatch is hidden so that thieves can't find it quickly.
- Your fleet is used only where you decide. You can define a virtual fence and receive an email when a machine exits that perimeter.



CX C-SERIES HYDRAULIC EXCAVATORS

CX130C

Specifications

Engine

Model _____ Tier 4 interim certified ISUZU AM-4JJ1X
Type _____ Water-cooled, 4-cycle diesel, 4-cylinder in line,
High pressure common rail system (electric control), Turbocharger
with air cooled intercooler, DPD system
Number of cylinders _____ 4
Bore/Stroke _____ 95.4 x 104.9 mm
Horsepower ISO 9249 _____ 74.9 kW at 2000 min⁻¹
Maximum torque ISO 9249 _____ 359 Nm at 1600 min⁻¹

Hydraulic system

Max oil flow _____ 2 x 129 l/min @ 2000 min⁻¹
2 variable displacement axial piston pumps with regulating system
Working circuit pressure _____
Boom/Arm/Bucket _____ 34.3 MPa
Boom/Arm/Bucket (with auto power up) _____ 36.3 MPa
Swing circuit _____ 27.9 MPa
Travel _____ 34.3 Mpa

Swing

Maximum swing speed _____ 14.3 min⁻¹

Travel

Travel motor _____ Variable displacement axial piston motor
Max travel speed _____ 5.6 km/h (Automatic travel speed shifting)
Low travel speed _____ 3.4 km/h
Gradeability _____ 70% (35°)
Drawbar pull _____ 116 kN

Electrical system

Alternator _____ 50 Amp

Undercarriage

Number of carriers rollers (each side) _____ 2
Number of track rollers (each side) _____ 7
Number of shoes (each side) _____ 47
Type of shoe _____ Triple grouser shoe

Capacities

Fuel tank _____ 260 l
Hydraulic system _____ 157 l
Cooling system _____ 16.2 l

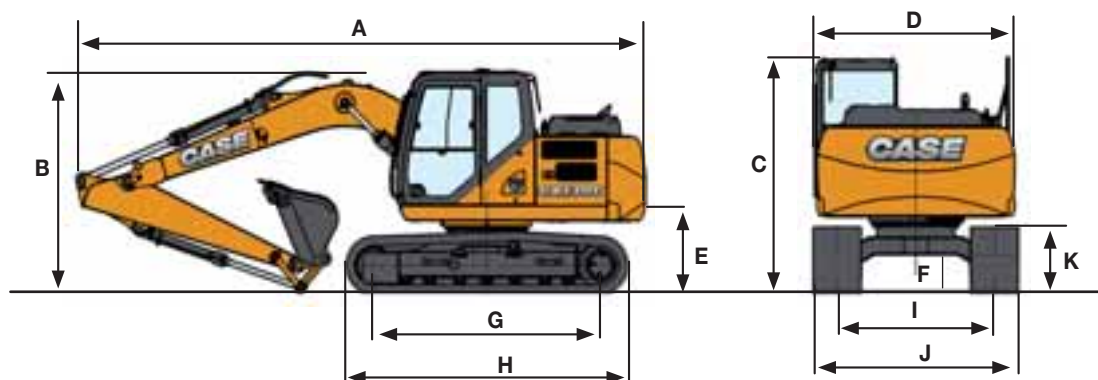
Weight and ground pressure

With 2.50 m Arm , 0.5 m³ bucket, operator, lubricant, coolant, full fuel tank

CX130C	Weight (kg)	Ground pressure (MPa)
600 mm grouser shoe	13.200	0.033

CX130C BLADE	Weight (kg)	Ground pressure (MPa)
600 mm grouser shoe	13.800	0.038

General dimensions



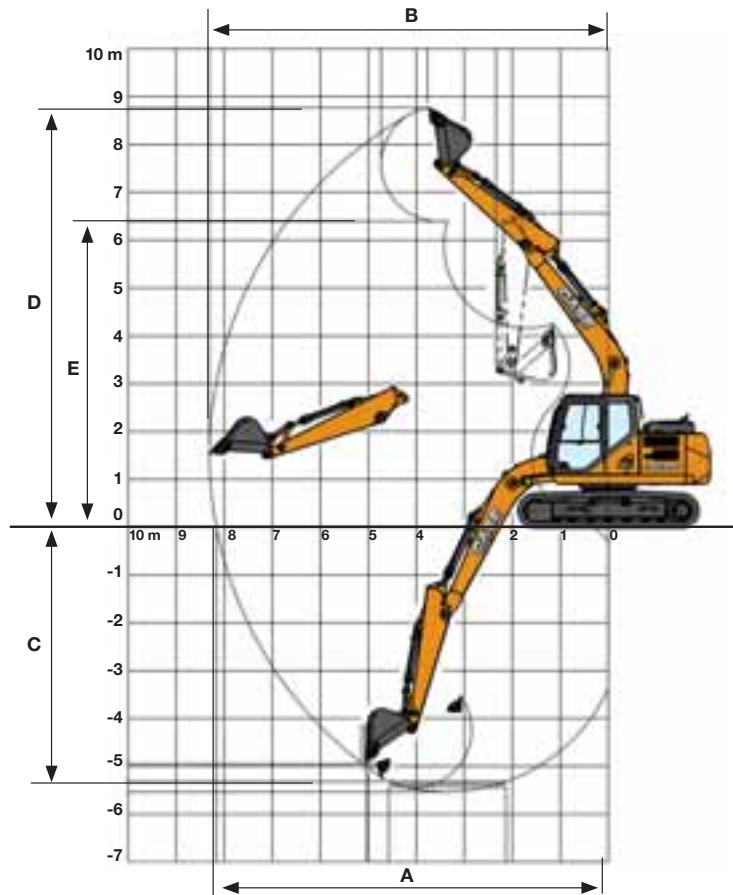
	Arm 2.50 m	Arm 3.00 m	Arm 2.10 m
Overall length (without attachment)	4010 mm	4010 mm	4010 mm
A Overall length (with attachment)	7620 mm	7610 mm	7610 mm
B Overall height (with attachment)	2920 mm	2920 mm	2920 mm
C Cab height	2920 mm	2920 mm	2920 mm
D Upper structure overall width	2540 mm	2540 mm	2540 mm
Swing (rear end) radius	2130 mm	2130 mm	2130 mm
E Clearance height under upper structure	895 mm	895 mm	895 mm
F Minimum ground clearance	440 mm	440 mm	440 mm
G Wheel base (Center to center of wheels)	3040 mm	3040 mm	3040 mm
H Crawler overall length	3760 mm	3760 mm	3760 mm
I Track gauge	1990 mm	1990 mm	1990 mm
J Undercarriage overall width (with 600 mm shoes)	2590 mm	2590 mm	2590 mm
K Crawler tracks height	790 mm	790 mm	790 mm

CX130C BLADE	Arm 2.50 m	Arm 3.00 m	Arm 2.10 m
Overall length (without attachment)	4180 mm	4180 mm	4180 mm
A Overall length (with attachment)	7920 mm	7910 mm	7910 mm
B Overall height (with attachment)	2920 mm	2920 mm	2920 mm
C Cab height	2920 mm	2920 mm	2920 mm
D Upper structure overall width	2540 mm	2540 mm	2540 mm
Swing (rear end) radius	2130 mm	2130 mm	2130 mm
E Clearance height under upper structure	895 mm	895 mm	895 mm
F Minimum ground clearance	440 mm	440 mm	440 mm
G Wheel base (Center to center of wheels)	2790 mm	2790 mm	2790 mm
H Crawler overall length	3500 mm	3500 mm	3500 mm
I Track gauge	1990 mm	1990 mm	1990 mm
J Undercarriage overall width (with 600 mm shoes)	2590 mm	2590 mm	2590 mm
K Crawler tracks height	790 mm	790 mm	790 mm

CX C-SERIES HYDRAULIC EXCAVATORS

CX130C

Performance data



CX130C / CX130C BLADE

Arm 2.50 m

Arm 3.00 m

Arm 2.10 m

	Arm 2.50 m	Arm 3.00 m	Arm 2.10 m
Boom length	4630 mm	4630 mm	4630 mm
Bucket radius	1200 mm	1200 mm	1200 mm
Bucket wrist action	178°	178°	178 °
A Maximum reach at GRP	8170 mm	8640 mm	7810 mm
B Maximum reach	8310 mm	8770 mm	7960 mm
C Max. digging depth	5540 mm	6050 mm	5150 mm
D Max. digging height	8770 mm	9050 mm	8550 mm
E Max. dumping height	6390 mm	6680 mm	6170 mm

Digging force With 0.5 m³ bucket (ISO 6015)

CX130C / CX130C BLADE

Arm 2.50 m

Arm 3.00 m

Arm 2.10 m

	Arm 2.50 m	Arm 3.00 m	Arm 2.10 m
Arm digging force	62 kN	56 kN	70 kN
- with auto power boost	66 kN	60 kN	74 kN
Bucket digging force	90 kN	90 kN	90 kN
- with auto power boost	95 kN	95 kN	95 kN

Lifting capacity

Front 360°	REACH												
	0 m	1.5 m	3.0 m	4.5 m	6.0 m	7.5 m	At max reach		m				

Standard arm. 2.50 m arm length, 0.50 m³ bucket, 600G LC shoes, max reach 8.02 m

7.5 m								1840 *	1840 *					1430*	1430*	5.22
6.0 m										2380 *	2220			1210*	1210*	6.7
4.5 m								2910 *	2910 *	2840 *	2180	1250*	1250*	1150*	1150*	7.53
3.0 m					5260*	5260*	3960 *	3370	3240	2080	2210	1380	1150*	1150*	7.94	
1.5 m					7710*	5900	4990	3120	3130	1960	2160	1330	1210*	1170	8.02	
0 m			2480 *	2480 *	7980*	5440	4810	2910	3020	1860	2110	1290	1350*	1200	7.8	
-1.5 m	3700 *	3700*	5020 *	5020 *	9250*	5400	4710	2820	2960	1810			1620*	1350	7.25	
-3.0 m	5050 *	5050*	7810 *	7810 *	8530*	5500	4750	2870	3020	1880			2180	1710	6.31	
-4.5 m					6470*	5660	4010 *	3000					3500*	2710	4.76	

Short arm. 2.10 m arm length, 0.55 m³ bucket, 600G LC shoes, max reach 7.67 m

7.5 m								2070 *	2070 *					1760*	1760*	4.6
6.0 m								2900 *	2900 *	2270 *	2150			1460*	1460*	6.26
4.5 m								3240 *	3240 *	3020 *	2120			1370*	1370*	7.14
3.0 m					5680*	5680*	4250 *	3280	3200	2030	1810*	1330	1370*	1300	7.58	
1.5 m					8030*	5680	4950	3030	3080	1910	2120	1290	1440*	1240	7.67	
0 m					7270*	5320	4740	2840	2980	1820			1600*	1280	7.44	
-1.5 m			5460 *	5460 *	9090*	5380	4680	2800	2950	1800			1920*	1470	6.86	
-3.0 m			8160 *	8160 *	8060*	5520	4750	2880					2660*	1920	5.85	
-4.5 m													3810*	3550	4.0	

Long arm. 3.00 m arm length, 0.37 m³ bucket, 600G LC shoes, max reach 8.48 m

7.5 m														1370*	1370*	5.96
6.0 m										2240 *	2240*			1200*	1200*	7.26
4.5 m										2610 *	2250	2050*	1470	1140*	1140*	8.02
3.0 m							3450 *	3390	2990 *	2140	2250	1420	1150*	1110	8.4	
1.5 m					6630*	6100	4700 *	3180	3170	2000	2180	1350	1210*	1060	8.49	
0 m			2600 *	2600 *	8570*	5490	4840	2930	3030	1870	2120	1290	1340*	1080	8.28	
-1.5 m			4560 *	4560 *	9100*	5320	4680	2800	2950	1800	2090	1270	1570*	1200	7.76	
-3.0 m			6670 *	6670 *	8870*	5380	4690	2810	2970	1820			2040*	1470	6.89	
-4.5 m			10690 *	10690 *	7350*	5590	4720	2970					3290*	2140	5.49	

* Hydraulic capacity 87%

Lifting capacity

* Hydraulic capacity 87%

Front 360°	REACH												
	0 m	1.5 m	3.0 m	4.5 m	6.0 m	7.5 m	At max reach		m				

CX130C BLADE UP. Standard arm. 2.50 m arm length, 0.50 m³ bucket, 600G shoes, max reach 8.31 m

7.5 m							1840*	1840*					1430*	1430*	5.22
6.0 m									2380*	2320			1210*	1210*	6.7
4.5 m							2910*	2910*	2840*	2280	1250*	1250*	1150*	1150*	7.53
3.0 m				5260*	5260*	3960*	3520	2880	2180	1950	1460	1150*	1150*	7.94	
1.5 m				7710*	6160	4410	3260	2750	2060	1890	1410	1210*	1210*	8.02	
0 m		2480*	2480*	7980*	5700	4180	3050	2650	1960	1850	1360	1350*	1280	7.8	
-1.5 m		5020*	5020*	8260	5660	4090	2970	2590	1910			1620*	1430	7.25	
-3.0 m		7810*	7810*	8380	5760	4130*	3010	2650	1980			2180*	1800	6.31	
-4.5 m				6470*	5890*	4010*	3140					3500*	2840	4.76	

CX130C BLADE DOWN. Standard arm. 2.50 m arm length, 0.50 m³ bucket, 600G shoes, max reach 8.31 m

7.5 m							1840*	1840*					1430*	1430*	5.22
6.0 m									2380*	2380*			1210*	1210*	6.7
4.5 m							2910*	2910*	2840*	2400	1250*	1250*	1150*	1150*	7.53
3.0 m				5260*	5260*	3960*	3680	3280*	2300	2410*	1540	1150*	1150*	7.94	
1.5 m				7710*	6550	5070*	3440	3840*	2180	2880*	1490	1210*	1210*	8.02	
0 m		2480*	2480*	7980*	6080	5810*	3230	4220*	2070	2670*	1450	1350*	1350*	7.8	
-1.5 m		5020*	5020*	9250*	6040	2950*	3140	4270*	2030			1620*	1520	7.25	
-3.0 m		7810*	7810*	8530*	6140	5610*	3190	2840*	2090			2180*	1910	6.31	
-4.5 m				6470*	6230	4010*	3320					3500*	3010	4.76	

CX130C BLADE DOWN. Short arm. 2.10 m arm length, 0.50 m³ bucket, 600G LC shoes, max reach 7.96 m

7.5 m							2070*	2070*					1760*	1760*	4.6
6.0 m							2900*	2900*	2270*	2270*			1460*	1460*	6.26
4.5 m							3240*	3240*	3020*	2340			1370*	1370*	7.14
3.0 m				5680*	5680*	4250*	3610	3460*	2240	1810*	1490	1370*	1370*	7.58	
1.5 m				8030*	6330	5290*	3360	3950*	2130	2360*	1450	1430*	1390	7.67	
0 m				7270*	5940	5870*	3170	4240*	2040			1600*	1440	7.44	
-1.5 m		5460*	5460*	9090*	6020	5890*	3120	4210*	2010			1920*	1640	6.86	
-3.0 m		8160*	8160*	8060*	6150	5350*	3200					2660*	2140	5.85	
-4.5 m				5480*	5480*							3810*	3810*	4.0	

CX130C BLADE UP. Short arm. 2.10 m arm length, 0.50 m³ bucket, 600G LC shoes, max reach 7.96 m

7.5 m							2070*	2070*					1760*	1760*	4.6
6.0 m							2900*	2900*	2270*	2250			1460*	1460*	6.26
4.5 m							3240*	3240*	2920	2220			1370*	1370*	7.14
3.0 m				5680*	5680*	4250*	3430	2830	2130	1810*	1410	1370*	1370*	7.58	
1.5 m				8030*	5940	4320	3180	2700	2010	1860	1370	1430*	1310	7.67	
0 m				7270*	5570	4120	2990	2610	1920			1600*	1360	7.44	
-1.5 m		5460*	5460*	8230	5640	4060	2940	2580	1900			1920*	1550	6.86	
-3.0 m		8160*	8160*	8060*	5770	4140	3020					2660*	2020	5.85	
-4.5 m				5480*	5480*							3810*	3720	4.0	

CX130C BLADE DOWN. Long arm. 3.00 m arm length, 0.50 m³ bucket, 600G LC shoes, max reach 8.77 m

7.5 m													1370*	1370*	5.96
6.0 m									2240*	2240*			1200*	1200*	7.26
4.5 m									2610*	2430	2050*	1630	1140*	1140*	8.02
3.0 m							3450*	3450*	2990*	2350	2590*	1580	1150*	1150*	8.4
1.5 m				6630*	6620*	4700*	3510	3630*	2210	3040*	1510	1210*	1200	8.49	
0 m		2600*	2600*	8570*	6130	5590*	3250	4090*	2090	3260*	1450	1340*	1230	8.28	
-1.5 m	3700*	3700*	4560*	4560*	9100*	5950	5920*	3120	4260*	2010	2630*	1430	1570*	1350	7.76
-3.0 m	5040*	5040*	6670*	6670*	8870*	6020	5760*	3130	4090*	2030			2040*	1650	6.89
-4.5 m		10690*	10690*	7360*	6220	4790*	3290						3290*	2380	5.49

CX130C BLADE UP. Long arm. 3.00 m arm length, 0.50 m³ bucket, 600G LC shoes, max reach 8.77 m

7.5 m													1370*	1370*	5.96
6.0 m									2240*	2240*			1200*	1200*	7.26
4.5 m									2610*	2350			1140*	1140*	8.02
3.0 m							3450*	3450*	2920	2240	1990	1500	1150*	1150*	8.4
1.5 m				6630*	6360	4460	3330	2790	2100	1920	1430	1210*	1130	8.49	
0 m		2600*	2600*	8470	5740	4210	3080	2660	1970	1850	1370	1340*	1150	8.28	
-1.5 m	3700*	3700*	4560*	4560*	8200	5570	4060	2940	1900	1830	1340	1570*	1270	7.76	
-3.0 m	5040*	5040*	6670*	6670*	8330	5640	4070	2960	2600	1920			2040*	1550	6.89
-4.5 m		10690*	10690*	7360*	5840	4180	3110						3040	2250	5.49

CX C-SERIES HYDRAULIC EXCAVATORS

CX160C

Specifications

Engine

Model _____ Tier 4 interim certified ISUZU AM-4JJ1X
Type _____ Water-cooled, 4-cycle diesel, 4-cylinder in line,
High pressure common rail system (electric control), Turbocharger
with air cooled intercooler, DPD system
Number of cylinders _____ 4
Bore/Stroke _____ 95.4 x 104.9 mm
Horsepower SAE J1349 NET _____ 92.2 kW at 2.200 min⁻¹
Maximum torque SAE J1349 NET _____ 391 Nm at 1.800 min⁻¹

Hydraulic system

Max oil flow _____ 2 x 142 l/min @ 2.200 min⁻¹
2 variable displacement axial piston pumps with regulating system
Working circuit pressure _____
Boom/Arm/Bucket _____ 34.3 MPa
Boom/Arm/Bucket (with auto power up) _____ 36.3 MPa
Swing circuit _____ 27.9 MPa
Travel _____ 34.3 Mpa

Swing

Maximum swing speed _____ 11.5 min⁻¹

Travel

Travel motor _____ Variable displacement axial piston motor
Max travel speed _____ 5.4 km/h (Automatic travel speed shifting)
Low travel speed _____ 2.8 km/h
Gradeability _____ 70% (35°)
Drawbar pull _____ 161 kN

Electrical system

Alternator _____ 50 Amp

Undercarriage

Number of carriers rollers (each side) _____ 2
Number of track rollers (each side) _____ 7
Number of shoes (each side) _____ 44
Type of shoe _____ Triple grouser shoe

Capacities

Fuel tank _____ 300 l
Hydraulic system _____ 165 l
Cooling system _____ 16.2 l

Weight and ground pressure

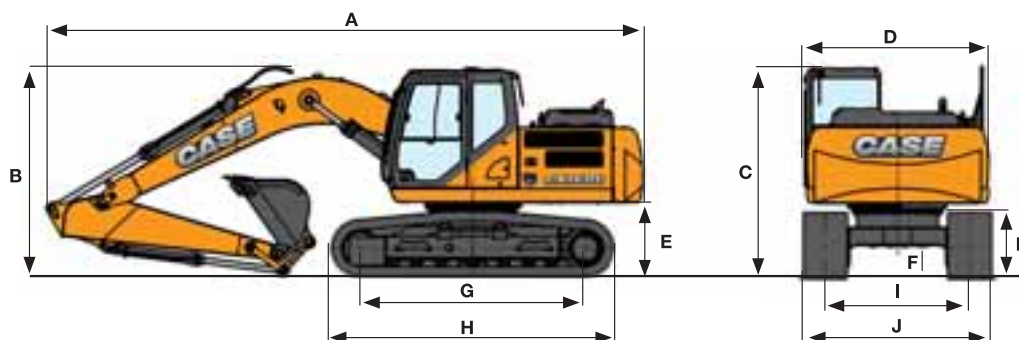
With 2.60 m Arm , 0.62 m³ bucket, operator, lubricant, coolant, full fuel tank

	Weight (kg)	Ground pressure (MPa)
600 mm grouser shoe	17.200	0.040

CX C-SERIES HYDRAULIC EXCAVATORS

CX160C

General dimensions



	Arm 2.20 m	Arm 2.60 m	Arm 3.00 m
Overall length (without attachment)	4410 mm	4410 mm	4410 mm
A Overall length (with attachment)	8470 mm	8440 mm	8500 mm
B Overall height (with attachment)	3050 mm	3050 mm	3150 mm
C Cab height	3050 mm	3050 mm	3050 mm
D Upper structure overall width	2540 mm	2540 mm	2540 mm
Swing (rear end) radius	2450 mm	2450 mm	2450 mm
E Clearance height under upper structure	1020 mm	1020 mm	1020 mm
F Minimum ground clearance	440 mm	440 mm	440 mm
G Wheel base (Center to center of wheels)	3190 mm	3190 mm	3190 mm
H Crawler overall length	3990 mm	3990 mm	3990 mm
I Track gauge	1990 mm	1990 mm	1990 mm
J Undercarriage overall width (with 600 mm shoes)	2490 mm	2490 mm	2490 mm
K Crawler tracks height	920 mm	920 mm	920 mm

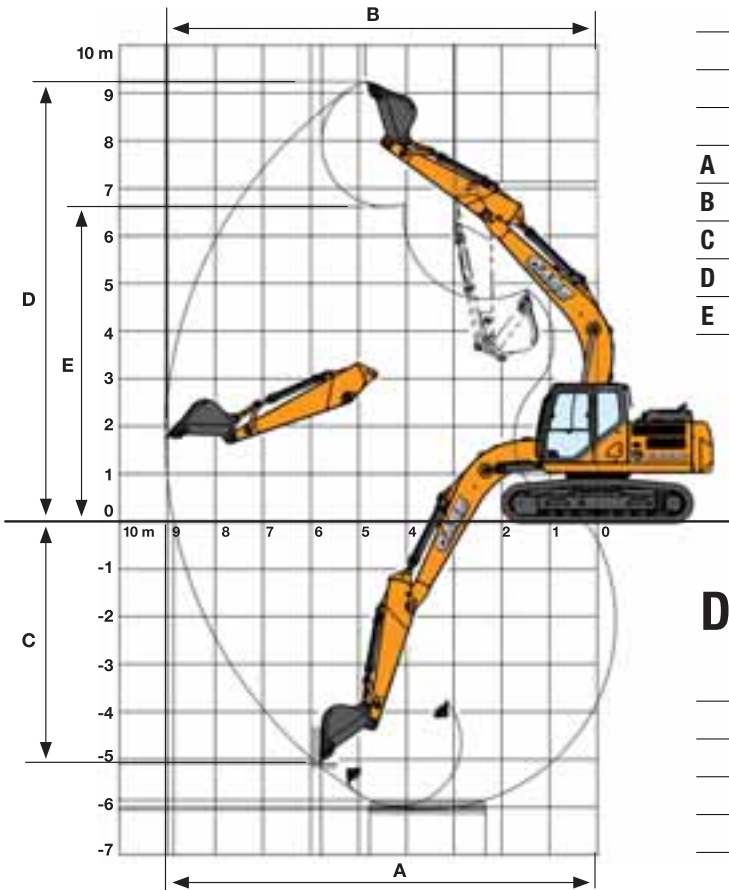
Lifting capacity

Front 360°	REACH						
	1.5 m	3.0 m	4.5 m	6.0 m	7.5 m	9.0 m	At max reach

Standard arm. 2.60 m arm length, 0.62 m³ bucket, 600G LC shoes, max reach 9.04 m

7.5 m							2600 *	2600 *				1610*	1610*	6.52
6.0 m							3240 *	3240 *	2020 *	2020*		1460*	1460*	7.68
4.5 m							4250 *	3110	3200 *	2070		1420*	1420*	8.35
3.0 m			8530 *	8530 *	6170*	4670	4690	2920	3220	1980		1450*	1450*	8.68
1.5 m			8890 *	7840	7170	4250	4470	2720	3100	1880		1540*	1420	8.7
0 m			7510 *	7220	6810	3950	4290	2560	3010	1790		1710*	1470	8.44
-1.5 m	6040 *	6040*	9640 *	7340	6670	3840	4200	2490	2990	1770		2030*	1640	7.88
-3.0 m	8590 *	8590*	12880 *	7470	6720	3900	4250	2540				2680*	2020	6.96
-4.5 m	12540 *	12540*	10500 *	7770	6820	4210						4420*	2950	5.52

Performance data



	Arm 2.20 m	Arm 2.60 m	Arm 3.00 m
Boom length	5150 mm	5150 mm	5150 mm
Bucket radius	1350 mm	1350 mm	1350 mm
Bucket wrist action	178 °	178 °	178 °
A Maximum reach at GRP	8500 mm	8870 mm	9220 mm
B Maximum reach	8670 mm	9040 mm	9380 mm
C Max. digging depth	5660 mm	6060 mm	6490 mm
D Max. digging height	9010 mm	9240 mm	9290 mm
E Max. dumping height	6380 mm	6610 mm	6690 mm

Digging force With 0.62 m³ bucket (ISO 6015)

	Arm 2.20 m	Arm 2.60 m	Arm 3.00 m
Arm digging force	90 kN	79 kN	72 kN
- with auto power boost	95 kN	84 kN	77 kN
Bucket digging force	112 kN	112 kN	112 kN
- with auto power boost	118 kN	118 kN	118 kN

Lifting capacity

Front 360°	REACH						
	1.5 m	3.0 m	4.5 m	6.0 m	7.5 m	9.0 m	At max reach m

Short arm. 2.20 m arm length, 0.62 m³ bucket, 600G LC shoes, max reach 8.67 m

7.5 m												2130*	2130*	5.98		
6.0 m							3780*	3200						1940*	1940*	7.25
4.5 m																
3.0 m																
1.5 m																
0 m																
-1.5 m																
-3.0 m																
-4.5 m																

Long arm. 3.00 m arm length, 0.51 m³ bucket, 600G LC shoes, max reach 9.38 m

7.5 m																
6.0 m																
4.5 m																
3.0 m																
1.5 m																
0 m																
-1.5 m																
-3.0 m																
-4.5 m																

* Hydraulic capacity 87%

CX C-SERIES HYDRAULIC EXCAVATORS

CX180C

Specifications

Engine

Model _____ Tier 4 interim certified ISUZU AM-4JJ1X
Type _____ Water-cooled, 4-cycle diesel, 4-cylinder in line,
High pressure common rail system (electric control), Turbocharger
with air cooled intercooler, DPD system
Number of cylinders _____ 4
Bore/Stroke _____ 95.4 x 104.9 mm
Horsepower SAE J1349 NET _____ 92.2 kW at 2.200 min⁻¹
Maximum torque SAE J1349 NET _____ 391 Nm at 1.800 min⁻¹

Hydraulic system

Max oil flow _____ 2 x142 l/min @ 2.200 min⁻¹
2 variable displacement axial piston pumps with regulating system
Working circuit pressure _____
Boom/Arm/Bucket _____ 34.3 MPa
Boom/Arm/Bucket (with auto power up) _____ 36.3 MPa
Swing circuit _____ 27.9 MPa
Travel _____ 34.3 Mpa

Swing

Maximum swing speed _____ 11.5 min⁻¹

Travel

Travel motor _____ Fixed displacement axial piston motor
Max travel speed _____ 4.0 km/h (Automatic travel speed shifting)
Low travel speed _____ 2.3 km/h
Gradeability _____ 70% (35°)
Drawbar pull _____ 190 kN

Electrical system

Alternator _____ 50 Amp

Undercarriage

Number of carriers rollers (each side) _____ 2
Number of track rollers (each side) _____ 7
Number of shoes (each side) _____ 46
Type of shoe _____ Triple grouser shoe

Capacities

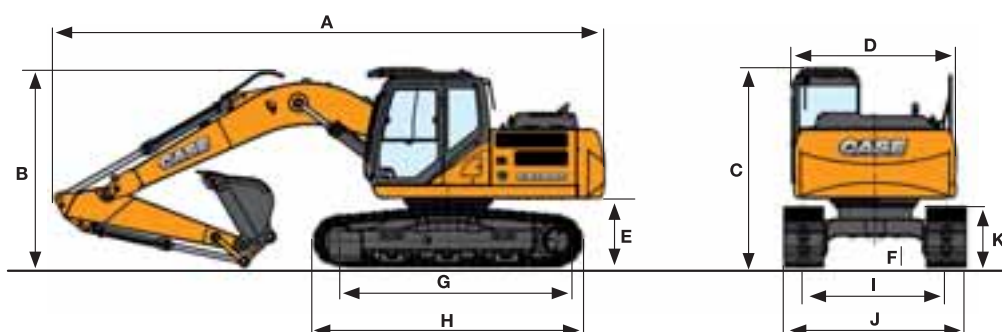
Fuel tank _____ 300 l
Hydraulic system _____ 165 l
Cooling system _____ 16.2 l

Weight and ground pressure

With 2.60 m Arm , 0.68 m³ bucket, operator, lubricant, coolant, full fuel tank

	Weight (kg)	Ground pressure (MPa)
600 mm grouser shoe	17.400	0.041

General dimensions

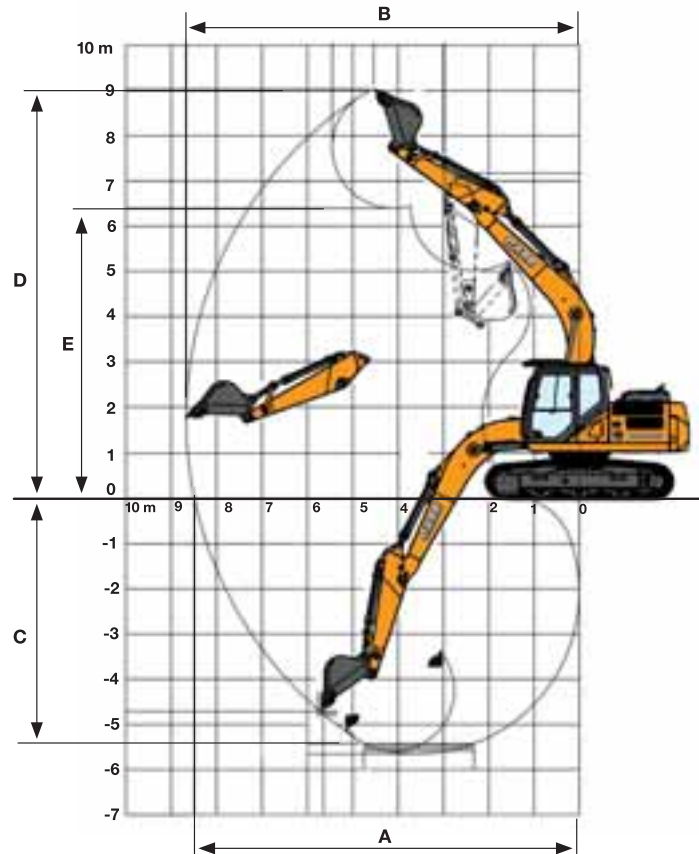


	Arm 2.20 m	Arm 2.60 m	Arm 3.00 m
Overall length (without attachment)	4500 mm	4500 mm	4500 mm
A Overall length (with attachment)	8470 mm	8440 mm	8500 mm
B Overall height (with attachment)	3090 mm	3090 mm	3130 mm
C Cab height	3090 mm	3090 mm	3090 mm
D Upper structure overall width	2540 mm	2540 mm	2540 mm
Swing (rear end) radius	2450 mm	2450 mm	2450 mm
E Clearance height under upper structure	1040 mm	1040 mm	1040 mm
F Minimum ground clearance	440 mm	440 mm	440 mm
G Wheel base (Center to center of wheels)	3370 mm	3370 mm	3370 mm
H Crawler overall length	4180 mm	4180 mm	4180 mm
I Track gauge	2200 mm	2200 mm	2200 mm
J Undercarriage overall width (with 600 mm shoes)	2800 mm	2800 mm	2800 mm
K Crawler tracks height	920 mm	920 mm	920 mm

CX C-SERIES HYDRAULIC EXCAVATORS

CX180C

Performance data



Arm 2.20 m

Arm 2.60 m

Arm 3.00 m

	Arm 2.20 m	Arm 2.60 m	Arm 3.00 m
Boom length	5150 mm	5150 mm	5150 mm
Bucket radius	1350 mm	1350 mm	1350 mm
Bucket wrist action	178 °	178 °	178 °
A Maximum reach at GRP	8500 mm	8870 mm	9220 mm
B Maximum reach	8670 mm	9040 mm	9380 mm
C Max. digging depth	5640 mm	6040 mm	6470 mm
D Max. digging height	9030 mm	9260 mm	9310 mm
E Max. dumping height	6400 mm	6630 mm	6710 mm

Digging force With 0.62 m³ bucket (ISO 6015)

	Arm 2.20 m	Arm 2.60 m	Arm 3.00 m
Arm digging force	90 kN	79 kN	72 kN
- with auto power boost	95 kN	84 kN	77 kN
Bucket digging force	112 kN	112 kN	112 kN
- with auto power boost	118 kN	118 kN	118 kN

Lifting capacity

Front 360°	REACH							
	0 m	1.5 m	3.0 m	4.5 m	6.0 m	7.5 m	9.0 m	At max reach

Short arm. 2.20 m arm length, 0.68 m³ bucket, 600G LC shoes, max reach 8.67 m

7.5 m								2100*	2100*					2100*	2100*	6
6.0 m								3750*	3750*					1910*	1910*	7.26
4.5 m								4980*	4980*	4580*	3670	3380*	2480			7.97
3.0 m										5220*	3480	3700	2400			8.31
1.5 m										5160	3300	3600	2310			8.33
0 m										5000	3160	3530	2240			8.06
-1.5 m										4940	3110					7.46
-3.0 m										5030	3210					6.48
-4.5 m																4.92

Standard arm. 2.60 m arm length, 0.68 m³ bucket, 600G LC shoes, max reach 9.04 m

7.5 m										2590*	2590*					1570*	1570*	6.53
6.0 m										3210*	3210*	2020*	2020*			1430*	1430*	6.69
4.5 m										4220*	3710	3180*	2500			1390*	1390*	8.36
3.0 m											4920*	3510	3710	2410				8.68
1.5 m											5180	3310	3600	2300				8.7
0 m											4990	3150	3510	2220				8.44
-1.5 m											4910	3070	3490	2200				7.87
-3.0 m											4950	3120						6.95
-4.5 m																		5.5

Long arm. 3.00 m arm length, 0.62 m³ bucket, 600G LC shoes, max reach 9.38 m

7.5 m										2180*	2180*							1460*	1460*	7
6.0 m										3010*	3010*	2340*	2340*					1350*	1350*	8.08
4.5 m										3840*	3690	3010*	2550					1330*	1330*	8.71
3.0 m											4610*	3570	3730*	2440	1440*	1440*		1370*	1370*	9.02
1.5 m											5220	3350	3620	2320	1630*	1630*		1470*	1470*	9.04
0 m											5010	3160	3510	2220				1640*	1640*	8.79
-1.5 m											4890	3050	3460	2170				1960*	1870	8.25
-3.0 m											4900	3070						2550*	2240	7.37
-4.5 m											4350*	3150						4070*	3110	6.02

* Hydraulic capacity 87%

Standard Equipment

ENGINE

Isuzu 4-cylinder turbodiesel in line
 Certified Tier 4 interim / EU stage 3b
 Electronic fuel injection
 High pressure common rail system
 Variable geometry turbo charger
 Exhaust gas recirculation
 Diesel Particulate Diffuser (DPD)
 Neutral safety start
 Auto-engine warm up, emergency stop
 Glow-plug pre-heat
 Idle System:
 Auto-idle
 One-touch idle
 Idle shut-down
 EPF (Engine Protection Feature)
 Dual-stage fuel filtration
 Dual element airfilter
 Remote oil filter
 Green plug oil drain
 500-hour engine oil change interval
 Refuelling Pump
HYDRAULICS
 Auto power boost
 Auto swing priority
 Auto travel speed change
 Selectable work modes

Overload warning device
 SWC - SWING RELIEF CONTROL
 SSC - SPOOL STROKE CONTROL
 BEC - BOOM ECONOMY CONTROL
 AEC - AUTO ECONOMY CONTROL
 SEC - SWING ECONOMY CONTROL
 ISO pattern controls
 Pre-set auxiliary pump settings
 Switch controlled auxiliary selection
 Auxiliary valve
 Auxiliary pipe brackets
 5,000 hour hydraulic oil change interval
 1,000 hour hydraulic filter change interval
 Hydraulic track adjustment
 SAHR brake
UPPERSTRUCTURE
 Isolation mounted cab (fluid and spring)
 Common key vandal locks
 Swivel guard belly pan
 Rear view safety camera
ATTACHMENT
 Bucket linkage with hook
 Boom mounted work light (70 watt)
 Auxiliary pipe brackets
 Centralized lube bank

Attachment cushion valve
 Arm and boom regeneration
 Arm and boom hose burst check valves
ONLY FOR CX130C
 Standard monoboom 4.63 m
 Arm 2.50 m
ONLY FOR CX160C - CX180C
 Standard monoboom 5.15m
 Arm 2.60m
OPERATOR STATION
 ROPS/FOPS level 1 cab
 FOPS guard OPG level II on cab roof
 Pressurized cab
 Tempered safety glass
 One-touch lock front window
 Sun visor & rain deflector
 AC/heat/defrost w/ auto climate control
 Hot & coolbox, cup holder & ashtray
 Interior dome light
 Cloth covered air-suspension seat
 Seat-belt
 Adjustable armrests
 Tilting consoles - 4-position
 Low-effort controls (short)
 Sliding cockpit (180 mm)

Controls pre-wired for auxiliary
 Auxiliary select system
 Straight travel
 Aux-in port for personal electronics
 Multifunction color monitor
 Rear-view camera
 Anti-theft system (start code system)
 Rubber floor mat
 12-volt electric socket
 24-volt cigarette lighter
 One-piece right hand window
 2 internal & 3 external view mirrors
 2 working lights (boom & upperstructure)
 2 cab top working lights
 Windshield wiper / washer
 Clear (Lexan) roof window w/ sunshade
 Storage compartments
 On-board diagnostic system
 Travel alarm with cancel switch
UNDERCARRIAGE
 600 mm steel shoes, triple semigrouser
 Full overlap turntable bearing tub
ONLY FOR CX160C - CX180C
 Single track guide

Options

HYDRAULICS

Auxiliary hydraulics
 Single acting pedal activated breaker circuit
 Multifunction circuit with proportional control
 Low flow circuit with proportional control

ATTACHMENT

Hydr. or mech quickcoupler
 Buckets: Extreme / Heavy duty / GP / ditching

Hammers, shears, grapples
ONLY FOR CX130C
 Arm - 2.10 m / 3 m
ONLY FOR CX160C - CX180C
 Arm - 2.20 m / 3 m
OPERATOR STATION
 Front cab guard - vertical bars (OPG level 2)
 Front cab guard - vertical bars (OPG level 1)
 Front mesh screen
 AM/FM radio w/ antenna and

2-speakers
 Side-view camera
UPPERSTRUCTURE
 Auto centralized greasing system
 Rubber bumper guard (order through Service Parts)
UNDERCARRIAGE
 Steel shoes, triple semi-grouser
ONLY FOR CX130C
 500mm, 600 mm, 700mm
 Rubber link chain 500mm
 Double track guide

ONLY FOR CX160C
 500mm, 700mm
 Rubber link chain 500mm
 Triple track guide
ONLY FOR CX180C
 700mm, 800mm
 Triple track guide

Standard and optional equipment shown can vary by country.

Worldwide Case Construction Equipment Contact Information

EUROPE:
 via Plava, 80
 10135 TORINO - ITALIA

AFRICA/MIDDLE EAST/CIS:
 Riva Paradiso 14
 6902 Paradiso - SWITZERLAND

NORTH AMERICA/MEXICO:
 700 State Street
 Racine, WI 53404 U.S.A.

LATIN AMERICA:
 Av. General David Sarnoff 2237
 32210 - 900 Contagem - MG
 Belo Horizonte BRAZIL

ASIA PACIFIC:
 Unit 1 - 1 Foundation Place - Prospect
 New South Wales - 2148 AUSTRALIA

CHINA:
 No. 29, Industrial Premises, No. 376.
 De Bao Road, Waigaoqiao Ftz, Pudong,
 SHANGHAI, 200131, P.R.C.

CASE Construction Equipment

CNH UK Ltd
 Unit 4,
 Hayfield Lane Business Park,
 Field Lane, Auckland,
 Doncaster,
 DN9 3FL
 Tel. 00800-2273-7373
 Fax +44 1302 802829



CASE Customer Assistance
00800-2273-7373

The call is free from a land line. Check in advance with your Mobile Operator if you will be charged.



NOTE: Standard and optional fittings can vary according to the demands and specific regulations of each country. The illustrations may include optional rather than standard fittings - consult your Case dealer. Furthermore, CNH Industrial reserves the right to modify machine specifications without incurring any obligation relating to such changes.

Conforms to directive 98/37/CE

