

CASE
CONSTRUCTION

WHEELED EXCAVATORS

WX148 | WX168



WHEELED EXCAVATORS

WX148 | WX168

THE
NEW
GENERATION
OF WHEELED
EXCAVATORS



THE “8 SERIES”

Power and Control

The WX wheeled excavators are designed to deliver a maximum of productivity and precision.

The extra powerful hydraulics are managed by the Case Intelligent Hydraulic System (CIHS) control, which offers a single CPU for improved controllability and simplified diagnostics. The Case wheeled excavators use a 3-pump hydraulic system, with one pump dedicated to the slew function.

This provides continuous movement and allows the operator to multi-function the controls for smooth, productive digging performance.

The Case Intelligent Swing (CIS) allows the operator to adjust upperstructure slew speed to suit a variety of work sites. The new dedicated CASE levelling mode (CLM) maximizes speed, ease and precision in levelling operations.

The Automatic Powerboost function delivers maximum performance for heavy breakout and lifting operations. The Power Limit Control feature monitors the engine and hydraulic pumps to optimise power output.

Superior Versatility

The flow and pressure to the attachments is easy to adjust and up to 12 settings for different attachments can be memorised.



WHEELED EXCAVATORS

WX148 | WX168





Powertrain

Our WX excavators drive through a fully automatic hydrostatic powershift transmission and heavy duty ZF axles, providing fast travel speed between working sites and excellent traction. An improved orbitrol steering system delivers effortless and precise control. A larger steering angle makes it even easier to move in confined areas. With a creep speed function and high ground clearance, the machines are also capable of tackling the toughest of site conditions.

Excellent drawbar pull is a feature of all three machines and the axles have an auto-locking feature for maximum stability when working without stabilisers. Multi-disc wet brakes and axle oil change intervals of 2,000 hours will reduce your customers' ownership and operating costs.

Total Stability

The new WX design leads to an outstanding stability even on tires only. Our wheeled excavators have always boasted a robust design and sturdy build quality. These new WX models are no exception, with a strong chassis providing the option of a dozer blade, the dozer blade and stabilisers, or stabilisers front and rear for total balance and a stable working platform. The dozer blade with parallel kinematics is made extra-robust in curved design for best material retention.



WHEELED EXCAVATORS

WX148 | WX168





First-class comfort

The inclination of the steering column is continuously adjustable to fit the operator's best working position; the controls are individually adjustable to match their preferences; the adjustable air suspended and heated seat combined with the ergonomic design of armrests and foot pedals provide the best possible workstation.

The tinted safety glass, sun blinds and transparent rain protection above the front window provide comfortable working conditions, while the automatic air conditioning maintains a comfortable in-cab climate for more productive work.

A hot and cool box, plenty of storage compartments, a radio with USB support, a microphone for handsfree conversation, a front aux. port and a 12V auxiliary socket complete the operator's comfortable workstation.

Easy to operate

The controls layout is designed to minimise fatigue, with all travel functions and switches easily accessible and grouped on the steering column. The machine's information is easy to access and understand on the in-cab monitor, so the operator can focus on the job. A new engine speed and working mode selection dial makes it easy for the operator to set the machine up in any working situation. The dial delivers low idle speed, two lifting modes, and three Eco working modes. It also provides access to the Heavy Mode for maximum digging performance. The new levelling mode can be easily activated in Eco or Heavy mode by simply pressing a switch on the right hand joystick.

The blade and each of the stabilizers are proportionally operated. Each of the stabilizers can be easily activated by switches.

All-round visibility

Large glazed surfaces, safety tinted glass, one-piece right-hand side window and large roof window provide superior visibility all around.

Standard working lights on the boom and cab front add to the excellent visibility.

The standard rear view camera further enhances visibility to the rear.



WHEELED EXCAVATORS

WX148 | WX168



Safety

Safe Attachment Operation

Boom cylinders feature safety valves as standard. For added safety, a complete object handling kit (safety valves on dipper, loading hook, overload warning) and a heavy-duty holder for grabs are available as options.

ROPS/FOPS cab

The reinforced structure of the cab is ROPS and FOPS certified.





Easy maintenance

Big and wide-opening hoods provide easy access to all service points. Maintenance operations are quick and easy with the grouped, easily accessible greasing points, and easy to reach filters at the rear of the machine. The extended greasing intervals for the attachment (up to 500 hours) maximise uptime and lower operating costs.



WHEELED EXCAVATORS

WX148 | WX168





WHEELED EXCAVATORS

WX148

Specifications WX148

Engine

Net engine power (ISO 14396/ECE R120) _____ 90 kW / 121 hp
Rated _____ 2000 rpm
Make and model _____ F4GE9484D J601
Type _____ Water-cooled, direct injection type diesel engine with intercooler turbo-charger
Displacement _____ 4.5 l
Number of cylinders _____ 4
Bore x stroke _____ 104 x 132 mm
Maximum torque at 1200 rpm _____ 525 Nm

Electrical system

Voltage _____ 24 V
Batteries _____ 2 x 12 V
Battery rating (each) _____ 100 Ah
Alternator _____ 70 A
Starter motor _____ 4 kW

Transmission

	km/h	km/h
Max Road travel speed	20	35
Max Field travel speed	5	8
Creep speed	2.5	2.5

Maximum drawbar pull (field) _____ 92 kN
Power Shift multi-disc gearbox shiftable under load.
Automatic or manual gear shift control.
Travel mode automatically engaged by pressing accelerator pedal.

Hydraulic system

2 x Primary pumps _____ 3 variable displacement, axial piston
Total maximum flow _____ 352 l/min (2 x 140 + 72)
Auxiliary low flow, optional (on/off) _____ 22 l/min
Auxiliary medium flow, optional (proportional) _____ 80 l/min
Implement /travel pressure _____ 340/370 bar
Power Boost _____ 370 bar
Swing circuit pressure _____ 360/390 bar
Pilot pump _____ 45 bar
Boom cylinder mono _____ 100 x 1028 mm
Boom cylinder 2-piece boom _____ 100 x 972 mm
Arm cylinder _____ 115 x 1120 mm
Bucket cylinder _____ 95 x 903 mm
Positioning cylinder _____ 135 x 645 mm
Cylinder end stroke damping.
Electrohydraulic servo-control.
Three-pump hydraulics with two main pumps and separate swing pump. 8 selectable power stages with permanent Power Boost in lift stages: Low idle, Lift 1, Lift 2, Eco 1, Eco 2, Eco 3, Heavy, Roadtravel
Levelling mode for smooth operation.

Adjustable swing acceleration (power) and deceleration (brake)
Automatic power increase in the drive mode.

Swing drive

Swing speed _____ 9 rpm
Swing torque (SAE J1371) _____ 36 kNm
The swing function is operated by a hydraulic closed circuit coupled with a mechanical reducer integrating an automatic static brake.
The hydro-static swing brake is adjustable in 3 settings.

Brakes

Service brakes: play free, oil bath multi disc type integrated in all four wheel hubs.
Work brake: acts on service brakes and locks front axle oscillation.
Parking brake: spring type mechanical acting on the transmission.
Emergency brake: double braking circuit and automatic parking and brake actuation with the engine shut down.

Steering

Type _____ ORBITROL with safety valve
Pump _____ gear type
Steering cylinder _____ double effect, integrated in axle

Tyres

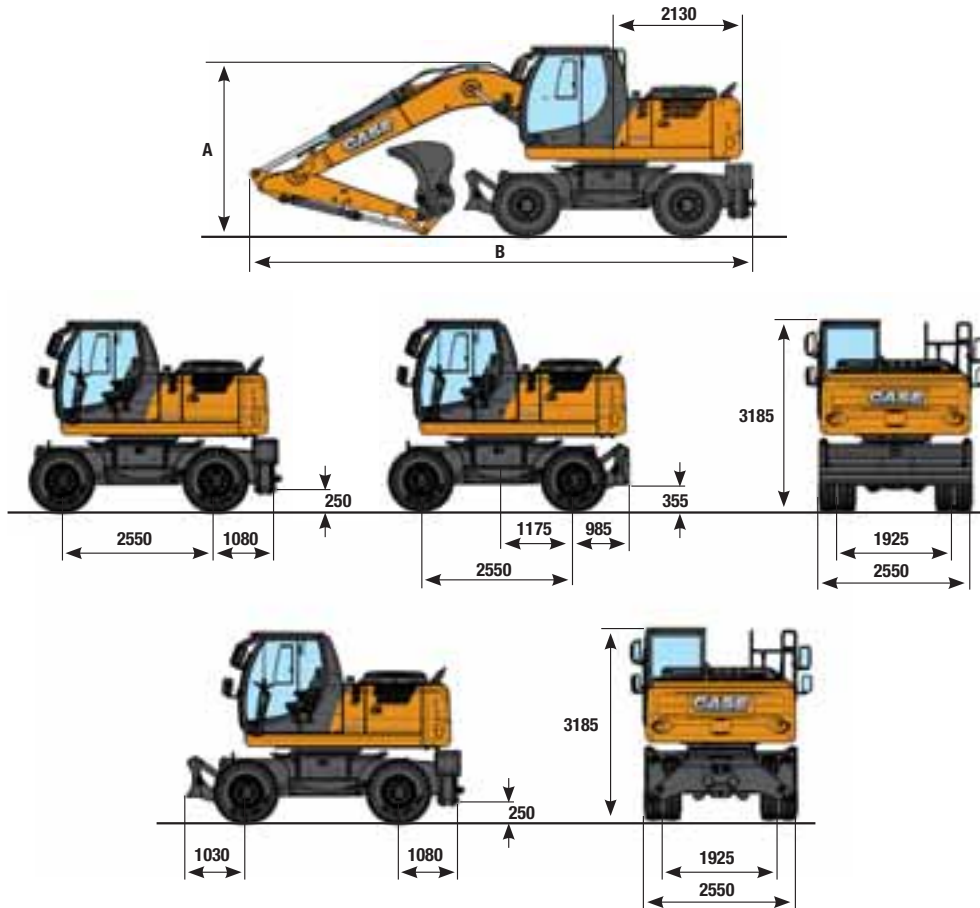
Twin tyres _____ 10.00-20/80-22.5
Single tyres _____ 18R 19.5, 600/40-22.5
Tyre availability can be limited by local homologation.

Capacities

Engine oil _____ 12,5 l
Cooling system _____ 22 l
Fuel tank _____ 190 l
Hydraulic system (incl. tank) _____ 200 l for mono
210 l for triple articulation

General dimensions WX148

equipped with twin tires 10.00 - 20



	TRIPLE ARTICULATION 5.15 m			MONOBOOM 4.75 m		
	Arm 2.10 m	Arm 2.45 m	Arm 2.95 m	Arm 2.10 m	Arm 2.45 m	Arm 2.95 m
A	2620 mm	2710 mm	3050 mm	2890 mm	3115 mm	3605 mm
B with rear blade	8075 mm	8085 mm	8055 mm	7850 mm	7880 mm	7895 mm
B with rear stabilizers	8240 mm	8250 mm	8220 mm	8015 mm	8045 mm	8065 mm

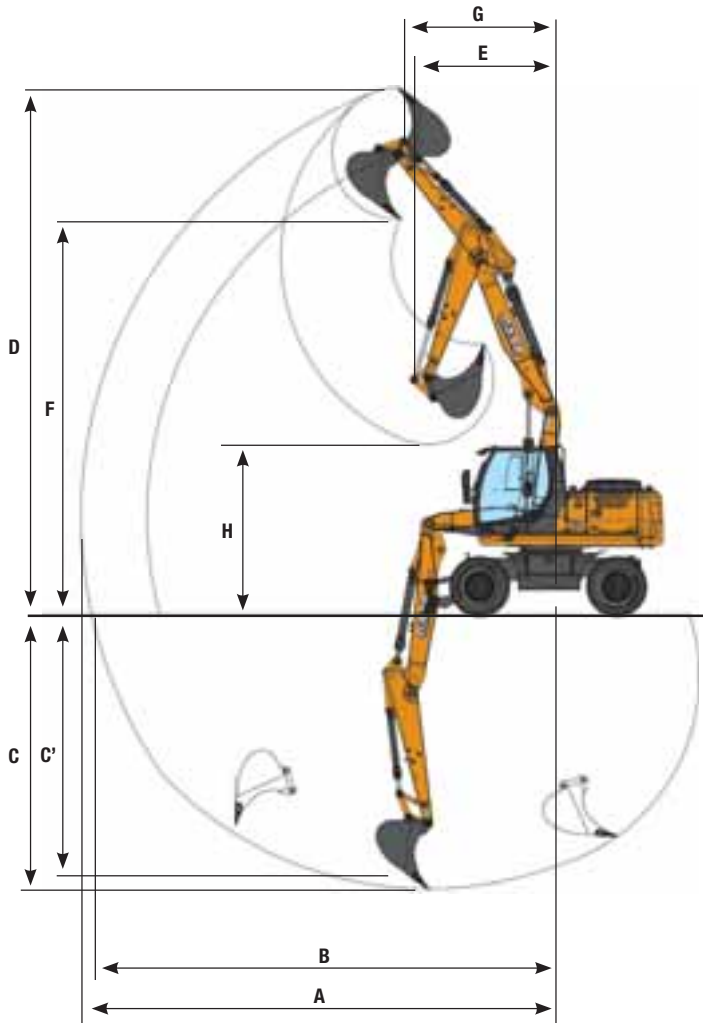
Operating weight WX148

2,55 axle width include bucket 480 kg and quick coupler 250 kg (with 10.00-20)

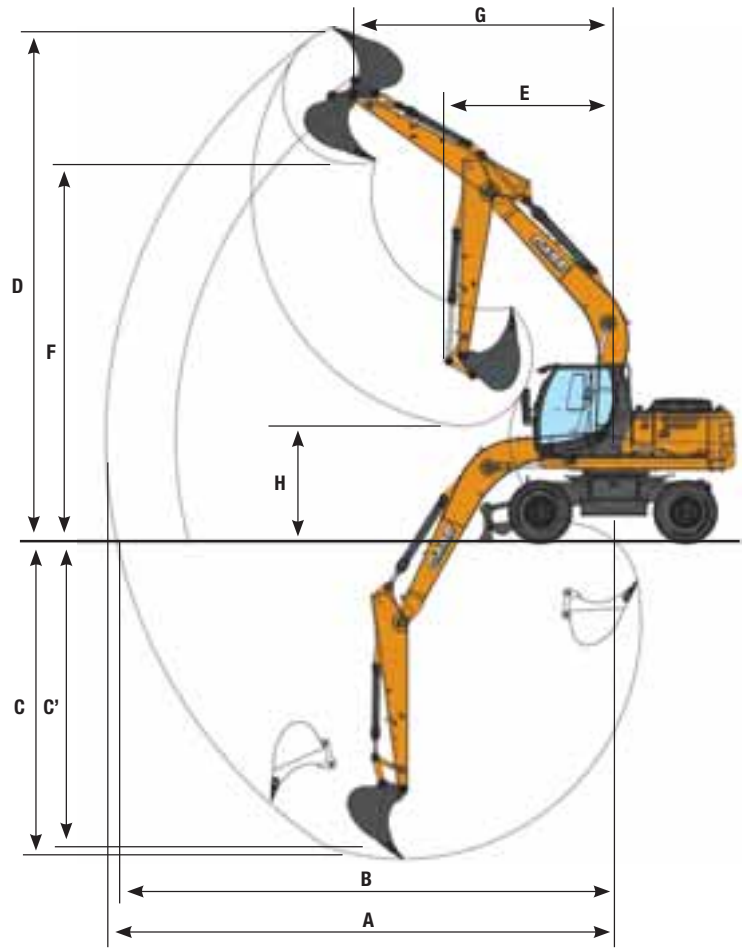
	TRIPLE ARTICULATION			MONOBOOM		
	Arm 2.10 m	Arm 2.45 m	Arm 2.95 m	Arm 2.10 m	Arm 2.45 m	Arm 2.95 m
Rear blade	15450 kg	15550 kg	15600 kg	15100 kg	15200 kg	15250 kg
Stabilizers	15750 kg	15800 kg	15850 kg	15400 kg	15500 kg	15550 kg
Blade and stabilizers	16300 kg	16350 kg	16400 kg	16000 kg	16050 kg	16100 kg

Performance data WX148

TRIPLE ARTICULATION



MONOBOOM



	TRIPLE ARTICULATION			MONOBOOM		
	Arm 2.10 m	Arm 2.45 m	Arm 2.95 m	Arm 2.10 m	Arm 2.45 m	Arm 2.95 m
A Max. digging reach	8400 mm	8800 mm	9300 mm	8200 mm	8500 mm	9000 mm
B Max. digging reach at ground level	8300 mm	8600 mm	9100 mm	8000 mm	8300 mm	8800 mm
C Max. digging depth	4900 mm	5200 mm	5700 mm	4900 mm	5300 mm	5800 mm
C' Max. depth of cut for 8' level bottom	4800 mm	5100 mm	5600 mm	4700 mm	5100 mm	5600 mm
D Max. digging height	9600 mm	9900 mm	10300 mm	8600 mm	8800 mm	9200 mm
E Min. front swing radius	2450 mm	2600 mm	3000 mm	2750 mm	2800 mm	3050 mm
F Max. loading height	7100 mm	7400 mm	7900 mm	6200 mm	6400 mm	6800 mm
G Front swing radius at max height	2390 mm	2580 mm	2810 mm	3755 mm	4025 mm	4390 mm
H Max. loading height (arm retracted)	3500 mm	3200 mm	2900 mm	2900 mm	2600 mm	2100 mm

Digging force - ISO WX148

	Arm 2.10 m	Arm 2.45 m	Arm 2.95 m
Arm digging force	74.3 kN	66.9 kN	59.5 kN
- with auto power boost	80.9 kN	72.9 kN	64.8 kN
Bucket digging force	91.3 kN	91.3 kN	91.3 kN
- with auto power boost	99.5 kN	99.5 kN	99.5 kN

Lifting capacity WX148

MONO BOOM - DIPPERSTICK 2.10 m

REAR BLADE UP

Long. 360°	RADIUS OF LOAD										
	3.0 m		4.5 m		6.0 m		AT MAX REACH		m		
	🔧	🔧	🔧	🔧	🔧	🔧	🔧	🔧	🔧	🔧	
+7.5 m							3.5*	3.5*	3.7		
+6.0 m			4.0*	3.8			2.9*	2.8	5.4		
+4.5 m			4.4*	3.7	3.6	2.4	2.7*	2.2	6.4		
+3.0 m			5.3*	3.5	3.5	2.3	2.8*	1.9	6.8		
+1.5 m			5.1	3.2	3.4	2.2	2.8	1.8	7.0		
0 m	5.9*	5.4	5.0	3.1	3.3	2.1	2.9	1.8	6.7		
-1.5 m	8.2*	5.5	5.0	3.1	3.3	2.1	3.3	2.1	6.1		
-3.0 m	6.1*	5.6	4.3*	3.2			3.6*	2.8	4.9		

FRONT BLADE+REAR STAB. DOWN

Long. 360°	RADIUS OF LOAD										
	3.0 m		4.5 m		6.0 m		AT MAX REACH		m		
	🔧	🔧	🔧	🔧	🔧	🔧	🔧	🔧	🔧	🔧	
+7.5 m							3.5*	3.5*	3.7		
+6.0 m			4.0*	4.0*			2.9*	2.9*	5.4		
+4.5 m			4.4*	4.4*	3.9*	3.9*	2.7*	2.7*	6.4		
+3.0 m			5.3*	5.3*	4.2*	4.1	2.8*	2.8*	6.8		
+1.5 m			6.0*	6.0*	4.5*	4.0	3.0*	3.0*	7.0		
0 m	5.9*	5.9*	6.2*	5.9	4.5*	3.9	3.5*	3.3	6.7		
-1.5 m	8.2*	8.2*	5.8*	5.8*	4.0*	3.9	3.9*	3.8	6.1		
-3.0 m	6.1*	6.1*	4.3*	4.3*			3.6*	3.6*	4.9		

MONO BOOM - DIPPERSTICK 2.45 m

REAR BLADE UP

Long. 360°	RADIUS OF LOAD										
	3.0 m		4.5 m		6.0 m		AT MAX REACH		m		
	🔧	🔧	🔧	🔧	🔧	🔧	🔧	🔧	🔧	🔧	
+7.5 m							2.8*	2.8*	4.3		
+6.0 m			3.7*	3.7*			2.4*	2.4*	5.9		
+4.5 m			4.1*	3.7	3.6	2.4	2.3*	2.0	6.7		
+3.0 m	7.6*	6.3	5.0*	3.5	3.5	2.3	2.3*	1.7	7.2		
+1.5 m			5.2	3.2	3.4	2.2	2.4*	1.6	7.3		
0 m	6.2*	5.4	5.0	3.0	3.3	2.1	2.6	1.7	7.1		
-1.5 m	8.6*	5.4	4.9	3.0	3.3	2.1	3.0	1.9	6.5		
-3.0 m	6.7*	5.5	4.7*	3.1			3.6*	2.4	5.4		

FRONT BLADE+REAR STAB. DOWN

Long. 360°	RADIUS OF LOAD										
	3.0 m		4.5 m		6.0 m		AT MAX REACH		m		
	🔧	🔧	🔧	🔧	🔧	🔧	🔧	🔧	🔧	🔧	
+7.5 m							2.8*	2.8*	4.3		
+6.0 m			3.7*	3.7*			2.4*	2.4*	5.9		
+4.5 m			4.1*	4.1*	3.7*	3.7*	2.3*	2.3*	6.7		
+3.0 m	7.6*	7.6*	5.0*	5.0*	4.0*	4.0*	2.3*	2.3*	7.2		
+1.5 m			5.8*	5.8*	4.3*	3.9	2.4*	2.4*	7.3		
0 m	6.2*	6.2*	6.2*	5.9	4.5*	3.9	2.8*	2.8*	7.1		
-1.5 m	8.6*	8.6*	5.9*	5.8	4.2*	3.8	3.5*	3.5	6.5		
-3.0 m	6.7*	6.7*	4.7*	4.7*			3.6*	3.6*	5.4		

MONO BOOM - DIPPERSTICK 2.95 m

REAR BLADE UP

Long. 360°	RADIUS OF LOAD											
	3.0 m		4.5 m		6.0 m		7.5 m		AT MAX REACH		m	
	🔧	🔧	🔧	🔧	🔧	🔧	🔧	🔧	🔧	🔧	🔧	
+7.5 m									2.3*	2.3*	5.1	
+6.0 m					3.0*	2.5			2.0*	2.0*	6.5	
+4.5 m			3.6*	3.6*	3.3*	2.4			1.9*	1.7	7.3	
+3.0 m	6.5*	6.5	4.5*	3.5	3.5	2.3	2.5	1.6	1.9*	1.5	7.7	
+1.5 m			5.2	3.2	3.4	2.2	2.4	1.5	2.1*	1.5	7.8	
0 m	6.4*	5.3	4.9	3.0	3.3	2.1	2.4	1.5	2.3*	1.5	7.6	
-1.5 m	9.0*	5.3	4.9	2.9	3.2	2.0			2.6	1.6	7.0	
-3.0 m	7.5*	5.4	4.9	3.0	3.3	2.0			3.2	2.0	6.0	

FRONT BLADE+REAR STAB. DOWN

Long. 360°	RADIUS OF LOAD											
	3.0 m		4.5 m		6.0 m		7.5 m		AT MAX REACH		m	
	🔧	🔧	🔧	🔧	🔧	🔧	🔧	🔧	🔧	🔧	🔧	
+7.5 m									2.3*	2.3*	5.1	
+6.0 m					3.0*	3.0*			2.0*	2.0*	6.5	
+4.5 m			3.6*	3.6*	3.3*	3.3*			1.9*	1.9*	7.3	
+3.0 m	6.5*	6.5*	4.5*	4.5*	3.7*	3.7*	2.6*	2.6*	1.9*	1.9*	7.7	
+1.5 m			5.5*	5.5*	4.1*	3.9	3.2*	2.8	2.1*	2.1*	7.8	
0 m	6.4*	6.4*	6.0*	5.9	4.4*	3.8	2.7*	2.7*	2.3*	2.3*	7.6	
-1.5 m	9.0*	9.0*	6.0*	5.8	4.3*	3.8			2.8*	2.8*	7.0	
-3.0 m	7.5*	7.5*	5.1*	5.1*	3.4*	3.4*			3.4*	3.4*	6.0	

REAR BLADE DOWN

Long. 360°	RADIUS OF LOAD										
	3.0 m		4.5 m		6.0 m		AT MAX REACH		m		
	🔧	🔧	🔧	🔧	🔧	🔧	🔧	🔧	🔧	🔧	
+7.5 m							3.5*	3.5*	3.7		
+6.0 m			4.0*	4.0*			2.9*	2.9*	5.4		
+4.5 m			4.4*	4.2	3.9*	2.7	2.7*	2.4	6.4		
+3.0 m			5.3*	3.9	4.2*	2.6	2.8*	2.1	6.8		
+1.5 m			6.0*	3.7	4.5*	2.5	3.0*	2.0	7.0		
0 m	5.9*	5.9*	6.2*	3.6	4.5*	2.4	3.5*	2.1	6.7		
-1.5 m	8.2*	6.5	5.8*	3.5	4.0*	2.4	3.9*	2.4	6.1		
-3.0 m	6.1*	6.1*	4.3*	3.6			3.6*	3.2	4.9		

REAR BLADE DOWN

Long. 360°	RADIUS OF LOAD										
	3.0 m		4.5 m		6.0 m		AT MAX REACH		m		
	🔧	🔧	🔧	🔧	🔧	🔧	🔧	🔧	🔧	🔧	
+7.5 m							2.8*	2.8*	4.3		
+6.0 m			3.7*	3.7*			2.4*	2.4*	5.9		
+4.5 m			4.1*	4.1*	3.7*	2.7	2.3*	2.2	6.7		
+3.0 m	7.6*	7.3	5.0*	4.0	4.0*	2.6	2.3*	2.0	7.2		
+1.5 m			5.8*	3.7	4.3*	2.5	2.4*	1.9	7.3		
0 m	6.2*	6.2*	6.2*	3.5	4.5*	2.4	2.8*	1.9	7.1		
-1.5 m	8.6*	6.4	5.9*	3.5	4.2*	2.4	3.5*	2.2	6.5		
-3.0 m	6.7*	6.5	4.7*	3.5			3.6*	2.8	5.4		

REAR BLADE DOWN

Long. 360°	RADIUS OF LOAD											
	3.0 m		4.5 m		6.0 m		7.5 m		AT MAX REACH		m	
	🔧	🔧	🔧	🔧	🔧	🔧	🔧	🔧	🔧	🔧	🔧	
+7.5 m									2.3*	2.3*	5.1	
+6.0 m					3.0*	2.8			2.0*	2.0*	6.5	
+4.5 m			3.6*	3.6*	3.3*	2.7			1.9*	1.9*	7.3	
+3.0 m	6.5*	6.5*	4.5*	4.0	3.7*	2.6	2.6*	1.8	1.9*	1.8	7.7	
+1.5 m			5.5*	3.7	4.1*	2.5	3.2*	1.8	2.1*	1.7	7.8	
0 m	6.4*	6.3	6.0*	3.5	4.4*	2.4	2.7*	1.7	2.3*	1.7	7.6	
-1.5 m	9.0*	6.3	6.0*	3.4	4.3*	2.3			2.8*	1.9	7.0	
-3.0 m	7.5*	6.4	5.1*	3.4	3.4*	2.4			3.4*	2.3	6.0	

All the lift capacity values are in tonnes and without bucket. As per ISO 10567 the indicated load is no more than 87% of hydraulic system lifting capacity or 75% of static tipping load. Values marked with an asterisk are limited by the hydraulic system.

Lifting capacity WX148

TRIPLE ARTICULATION - DIPPERSTICK 2.10 m

REAR BLADE UP

Long. 360°	RADIUS OF LOAD								
	3.0 m		4.5 m		6.0 m		AT MAX REACH		m
	Icon	Icon	Icon	Icon	Icon	Icon	Icon		
+7.5 m							4.1*	4.1*	4.2
+6.0 m			4.5*	3.8			3.3*	2.5	5.8
+4.5 m	6.6*	6.6*	4.9*	3.8	3.7	2.4	3.0	2.0	6.7
+3.0 m	7.6*	6.4*	5.4	3.7	3.6*	2.4	2.7	1.7	7.1
+1.5 m	8.7*	6.3	5.3	3.7	3.6	2.3	2.6	1.7	7.2
0 m	9.8*	6.3	5.4*	3.6	3.4	2.2	2.7	1.7	7.0
-1.5 m	10.1*	6.1	5.3	3.3	3.4	2.1	3.0	1.9	6.4
-3.0 m	9.4*	5.9	4.8*	3.2			4.2*	3.0	4.8

FRONT BLADE+REAR STAB. DOWN

Long. 360°	RADIUS OF LOAD								
	3.0 m		4.5 m		6.0 m		AT MAX REACH		m
	Icon	Icon	Icon	Icon	Icon	Icon	Icon		
+7.5 m							4.1*	4.1*	4.2
+6.0 m			4.5*	4.5*			3.3*	3.3*	5.8
+4.5 m	6.6*	6.6*	4.9*	4.9*	4.1*	4.1*	3.1*	3.1*	6.7
+3.0 m	7.6*	7.6*	5.6*	5.6*	4.3*	4.1	3.1*	3.1	7.1
+1.5 m	8.7*	8.7*	6.1*	6.0	4.5*	4.1	3.3*	3.0	7.2
0 m	9.8*	9.8*	6.2*	6.1*	4.5*	4.0	3.5*	3.1	7.0
-1.5 m	10.1*	10.1*	6.4*	6.2	4.1*	3.9	3.2*	3.2*	6.4
-3.0 m	9.4*	9.4*	4.8*	4.8*			4.2*	4.2*	4.8

TRIPLE ARTICULATION - DIPPERSTICK 2.45 m

REAR BLADE UP

Long. 360°	RADIUS OF LOAD										
	3.0 m		4.5 m		6.0 m		7.5 m		AT MAX REACH		m
	Icon	Icon	Icon	Icon	Icon	Icon	Icon	Icon	Icon		
+7.5 m			3.9*	3.8					3.3*	3.3*	4.7
+6.0 m			4.2*	3.9	3.5*	2.4			2.8*	2.2	6.2
+4.5 m	4.8*	4.8*	4.6*	3.8	3.6	2.5			2.6*	1.8	7.0
+3.0 m	7.5*	6.4	5.3*	3.7	3.6	2.4			2.5	1.6	7.5
+1.5 m	8.6*	6.3	5.3	3.6	3.6	2.4	2.4	1.5	2.4	1.5	7.6
0 m	9.6*	6.4	5.3	3.6	3.5	2.2			2.5	1.6	7.3
-1.5 m	10.0*	6.1	5.3	3.3	3.3	2.1			2.8	1.7	6.8
-3.0 m	10.1*	6.0	5.1	3.2					3.5*	2.4	5.4

FRONT BLADE+REAR STAB. DOWN

Long. 360°	RADIUS OF LOAD										
	3.0 m		4.5 m		6.0 m		7.5 m		AT MAX REACH		m
	Icon	Icon	Icon	Icon	Icon	Icon	Icon	Icon	Icon		
+7.5 m			3.9*	3.9*					3.3*	3.3*	4.7
+6.0 m			4.2*	4.2*	3.5*	3.5*			2.8*	2.8*	6.2
+4.5 m	4.8*	4.8*	4.6*	4.6*	3.9*	3.9*			2.6*	2.6*	7.0
+3.0 m	7.5*	7.5*	5.3*	5.3*	4.1*	4.1			2.6*	2.6*	7.5
+1.5 m	8.6*	8.6*	6.0*	6.0*	4.4*	4.0	3.2*	2.8	2.7*	2.7*	7.6
0 m	9.6*	9.6*	6.1*	6.0*	4.4*	4.0			3.0*	2.9	7.3
-1.5 m	10.0*	10.0*	6.2*	6.2	4.4*	3.9			3.1*	3.1*	6.8
-3.0 m	10.1*	10.1*	5.6*	5.6*					3.5*	3.5*	5.4

TRIPLE ARTICULATION - DIPPERSTICK 2.95 m

REAR BLADE UP

Long. 360°	RADIUS OF LOAD										
	3.0 m		4.5 m		6.0 m		7.5 m		AT MAX REACH		m
	Icon	Icon	Icon	Icon	Icon	Icon	Icon	Icon	Icon		
+9.0 m	4.1*	4.1*							4.0*	4.0*	3.1
+7.5 m			3.8*	3.8*					2.7*	2.7*	5.5
+6.0 m			3.6*	3.6*	3.5*	2.5			2.3*	1.9	6.8
+4.5 m			3.9*	3.8	3.6*	2.5	2.4*	1.6	2.2*	1.6	7.6
+3.0 m	6.4*	6.4*	5.0*	3.7*	3.6	2.5	2.5	1.6	2.2*	1.4	8.0
+1.5 m	8.2*	6.2	5.2	3.5	3.5*	2.4	2.5	1.6	2.2	1.4	8.1
0 m	9.2*	6.2	5.2	3.6	3.5	2.3	2.4	1.5	2.2	1.4	7.9
-1.5 m	9.7*	6.1	5.4	3.4	3.4	2.1			2.4	1.5	7.3
-3.0 m	10.3*	6.0	5.2	3.2	3.3	2.0			2.9*	1.9	6.3

FRONT BLADE+REAR STAB. DOWN

Long. 360°	RADIUS OF LOAD										
	3.0 m		4.5 m		6.0 m		7.5 m		AT MAX REACH		m
	Icon	Icon	Icon	Icon	Icon	Icon	Icon	Icon	Icon		
+9.0 m	4.1*	4.1*							4.0*	4.0*	3.1
+7.5 m			3.8*	3.8*					2.7*	2.7*	5.5
+6.0 m			3.6*	3.6*	3.5*	3.5*			2.3*	2.3*	6.8
+4.5 m			3.9*	3.9*	3.6*	3.6*	2.4*	2.4*	2.2*	2.2*	7.6
+3.0 m	6.4*	6.4*	5.0*	5.0*	3.9*	3.9*	3.3*	2.9	2.2*	2.2*	8.0
+1.5 m	8.2*	8.2*	5.7*	5.7*	4.2*	4.0*	3.4*	2.9	2.3*	2.3*	8.1
0 m	9.2*	9.2*	6.0*	5.9	4.3*	4.0	3.3*	2.8	2.5*	2.5*	7.9
-1.5 m	9.7*	9.7*	6.1*	6.0*	4.5*	3.9			2.9*	2.9	7.3
-3.0 m	10.3*	10.3*	6.2*	6.1	3.4*	3.4*			2.9*	2.9*	6.3

REAR BLADE DOWN

Long. 360°	RADIUS OF LOAD								
	3.0 m		4.5 m		6.0 m		AT MAX REACH		m
	Icon	Icon	Icon	Icon	Icon	Icon	Icon		
+7.5 m							4.1*	4.1	4.2
+6.0 m			4.5*	4.3			3.3*	2.8	5.8
+4.5 m	6.6*	6.6*	4.9*	4.2	4.1*	2.7	3.1*	2.2	6.7
+3.0 m	7.6*	7.3	5.6*	4.1	4.3*	2.7	3.1*	2.0	7.1
+1.5 m	8.7*	7.2*	6.1*	4.1	4.5*	2.6	3.3*	1.9	7.2
0 m	9.8*	7.4	6.2*	4.1	4.5*	2.5	3.5*	2.0	7.0
-1.5 m	10.1*	7.2	6.4*	3.8	4.1*	2.4	3.2*	2.2	6.4
-3.0 m	9.4*	7.0	4.8*	3.7			4.2*	3.4	4.8

FRONT BLADE+REAR STAB. DOWN

Long. 360°	RADIUS OF LOAD								
	3.0 m		4.5 m		6.0 m		AT MAX REACH		m
	Icon	Icon	Icon	Icon	Icon	Icon	Icon		
+7.5 m							4.1*	4.1*	4.2
+6.0 m			4.5*	4.3			3.3*	2.8	5.8
+4.5 m	6.6*	6.6*	4.9*	4.2	4.1*	2.7	3.1*	2.2	6.7
+3.0 m	7.6*	7.3	5.6*	4.1	4.3*	2.7	3.1*	2.0	7.1
+1.5 m	8.7*	7.2*	6.1*	4.1	4.5*	2.6	3.3*	1.9	7.2
0 m	9.8*	7.4	6.2*	4.1	4.5*	2.5	3.5*	2.0	7.0
-1.5 m	10.1*	7.2	6.4*	3.8	4.1*	2.4	3.2*	2.2	6.4
-3.0 m	9.4*	7.0	4.8*	3.7			4.2*	3.4	4.8

REAR BLADE DOWN

Long. 360°	RADIUS OF LOAD										
	3.0 m		4.5 m		6.0 m		7.5 m		AT MAX REACH		m
	Icon	Icon	Icon	Icon	Icon	Icon	Icon	Icon	Icon		
+7.5 m			3.9*	3.9*					3.3*	3.3*	4.7
+6.0 m			4.2*	4.2*	3.5*	2.7			2.8*	2.5	6.2
+4.5 m	4.8*	4.8*	4.6*	4.2	3.9*	2.8			2.6*	2.0	7.0
+3.0 m	7.5*	7.3	5.3*	4.1	4.1*	2.8			2.6*	1.8	7.5
+1.5 m	8.6*	7.2	6.0*	4.0	4.4*	2.7	3.2*	1.8	2.7*	1.7	7.6
0 m	9.6*	7.2	6.1*	4.1	4.4*	2.5			3.0*	1.8	7.3
-1.5 m	10.0*	7.1	6.2*	3.8	4.4*	2.4			3.1*	2.0	6.8
-3.0 m	10.1*	7.0	5.6*	3.7					3.5*	2.8	5.4

FRONT BLADE+REAR STAB. DOWN

Long. 360°	RADIUS OF LOAD										
	3.0 m		4.5 m		6.0 m		7.5 m		AT MAX REACH		m
	Icon	Icon	Icon	Icon	Icon	Icon	Icon	Icon	Icon		
+7.5 m			3.9*	3.9*					3.3*	3.3*	4.7
+6.0 m			4.2*	4.2*	3.5*	3.5*			2.8*	2.8*	6.2
+4.5 m	4.8*	4.8*	4.6*	4.6*	3.9*	3.9*			2.6*	2.6*	7.0
+3.0 m	7.5*	7.5*	5.3*	5.3*	4.1*	4.1			2.6*	2.6*	7.5
+1.5 m	8.6*	8.6*	6.0*	6.0*	4.4*	4.0	3.2*	2.8	2.7*	2.7*	7.6
0 m	9.6*	9.6*	6.1*	6.0*	4.4*	4.0			3.0*	2.9	7.3
-1.5 m	10.0*	10.0*	6.2*	6.2	4.4*	3.9			3.1*	3.1*	6.8
-3.0 m	10.1*	10.1*	5.6*	5.6*					3.5*	3.5*	5.4

REAR BLADE DOWN

Long. 360°	RADIUS OF LOAD										
	3.0 m		4.5 m		6.0 m		7.5 m		AT MAX REACH		m
	Icon	Icon	Icon	Icon	Icon	Icon	Icon	Icon	Icon		
+9.0 m	4.1*	4.1*							4.0*	4.0*	3.1
+7.5 m			3.8*	3.8*					2.7*	2.7*	5.5
+6.0 m			3.6*	3.6*	3.5*	2.8			2.3*	2.2	6.8
+4.5 m			3.9*	3.9*	3.6*	2.8	2.4*	1.8	2.2*	1.8	7.6
+3.0 m	6.4*	6.4*	5.0*	4.1	3.9*	2.7	3.3*	1.8	2.2*	1.6	8.0
+1.5 m	8.2*	7.1	5.7*	4.0	4.2*	2.7	3.4*	1.8	2.3*	1.6	8.1
0 m	9.2*	7.1	6.0*	4.0	4.3*	2.6	3.3*	1.7	2.5*	1.6	7.9
-1.5 m	9.7*	7.1	6.1*	3.9	4.5*	2.4			2.9*	1.8	7.3
-3.0 m	10.3*	7.1	6.2*	3.7	3.4*	2.4			2.9*	2.2	6.3

All the lift capacity values are in tonnes and without bucket. As per ISO 10567 the indicated load is no more than 87% of hydraulic system lifting capacity or 75% of static tipping load. Values marked with an asterisk are limited by the hydraulic system.

WHEELED EXCAVATORS

WX168

Specifications WX168

Engine

Net engine power (ISO 14396/ECE R120) _____ 105 kW / 141 hp
Rated _____ 2000 rpm
Make and model _____ F4GE9684F J602
Type _____ Water-cooled, 6 cylinder direct injection type diesel engine with intercooler turbo-charger
Displacement _____ 6.7 l
Number of cylinders _____ 6
Bore x stroke _____ 104 x 132 mm
Maximum torque at 1200 rpm _____ 575 Nm

Electrical system

Voltage _____ 24 V
Batteries _____ 2 x 12 V
Battery rating (each) _____ 100 Ah
Alternator _____ 70 A
Starter motor _____ 4 kW

Transmission

	km/h	km/h
Max Road travel speed	20	35
Max Field travel speed	5	8
Creep speed	2.5	2.5

Maximum drawbar pull (field) _____ 92 kN
Power Shift multi-disc gearbox shiftable under load.
Automatic or manual gear shift control.
Travel mode automatically engaged by pressing accelerator pedal.

Hydraulic system

2 x Primary pumps _____ 3 variable displacement, axial piston
Total maximum flow _____ 360 l/min (2 x 144 + 72)
Auxiliary low flow, optional (on/off) _____ 22 l/min
Auxiliary medium flow, optional (proportional) _____ 80 l/min
Implement /travel pressure _____ 340/370 bar
Power Boost _____ 370 bar
Swing circuit pressure _____ 370/390 bar
Pilot pump _____ 45 bar
Boom cylinder mono _____ 110 x 1170 mm
Boom cylinder 2-piece boom _____ 110 x 1020 mm
Arm cylinder _____ 115 x 1290 mm
Bucket cylinder _____ 100 x 1025 mm
Positioning cylinder _____ 155 x 745 mm
Cylinder end stroke damping.
Electrohydraulic servo-control.
Three-pump hydraulics with two main pumps and separate swing pump. 8 selectable power stages with permanent Power Boost in lift stages: Low idle, Lift 1, Lift 2, Eco 1, Eco 2, Eco 3, Heavy, Roadtravel
Levelling mode for smooth operation.

Adjustable swing acceleration (power) and deceleration (brake)
Automatic power increase in the drive mode.

Swing drive

Swing speed _____ 8,6 rpm
Swing torque (SAE J1371) _____ 42,4 kNm
The swing function is operated by a hydraulic closed circuit coupled with a mechanical reducer integrating an automatic static brake.
The hydro-static swing brake is adjustable in 3 settings.

Brakes

Service brakes: play free, oil bath multi disc type integrated in all four wheel hubs.
Work brake: acts on service brakes and locks front axle oscillation.
Parking brake: spring type mechanical acting on the transmission.
Emergency brake: double braking circuit and automatic parking and brake actuation with the engine shut down.

Steering

Type _____ ORBITROL with safety valve
Pump _____ gear type
Steering cylinder _____ double effect, integrated in axle

Tyres

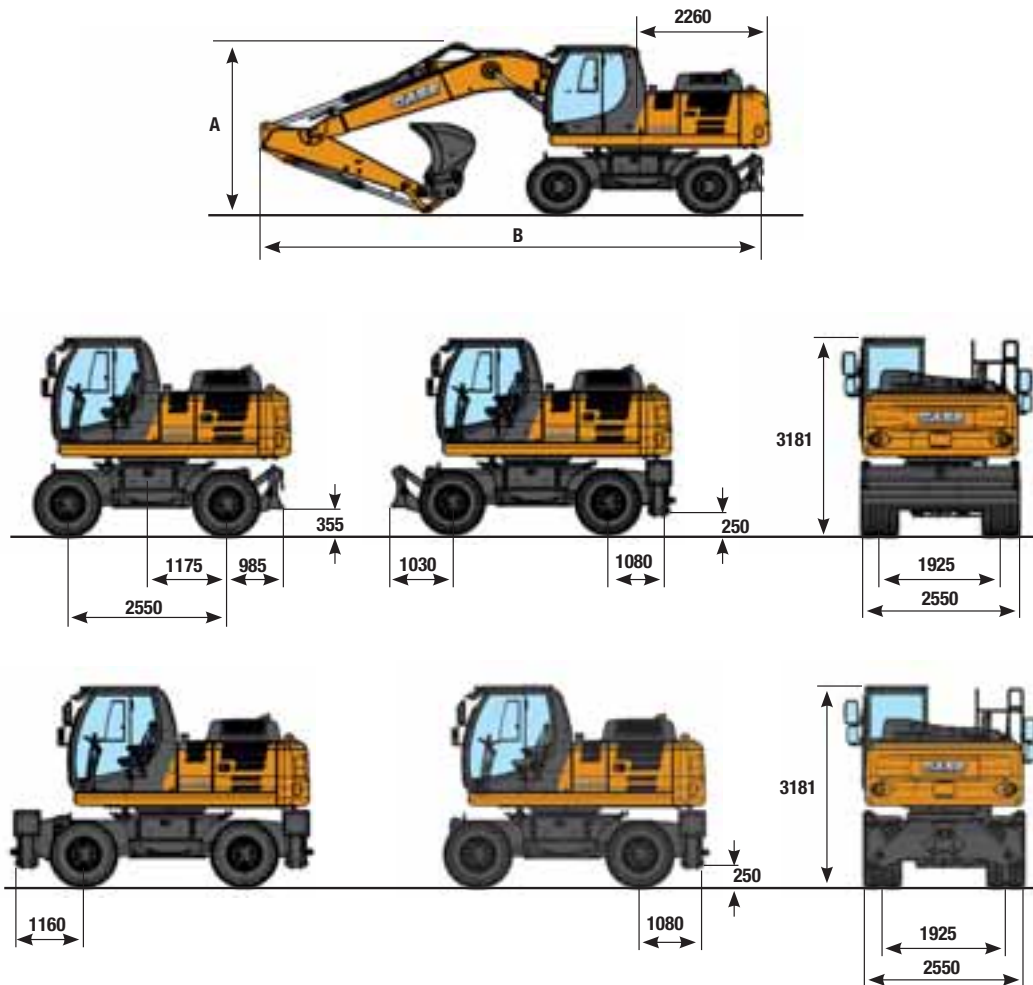
Twin tyres _____ 10.00-20/80-22.5
Single tyres _____ 18R 19.5, 600/40-22.5
Tyre availability can be limited by local homologation.

Capacities

Engine oil _____ 15 l
Cooling system _____ 22 l
Fuel tank _____ 274 l
Hydraulic system (incl. tank) _____ 215 l for mono
230 l for triple articulation

General dimensions WX168

equipped with twin tires 10.00 - 20



	TRIPLE ARTICULATION 5.15 m			MONOBOOM 4.75 m		
	Arm 2.20 m	Arm 2.60 m	Arm 3.10 m	Arm 2.20 m	Arm 2.60 m	Arm 3.10 m
A	2870 mm	2825 mm	3315 mm	3110 mm	3075 mm	3730 mm
B with rear blade	8670 mm	8600 mm	8585 mm	8635 mm	8575 mm	8575 mm
B with rear stabilizers	8730 mm	8660 mm	8645 mm	8695 mm	8635 mm	8635 mm

Operating weight WX168

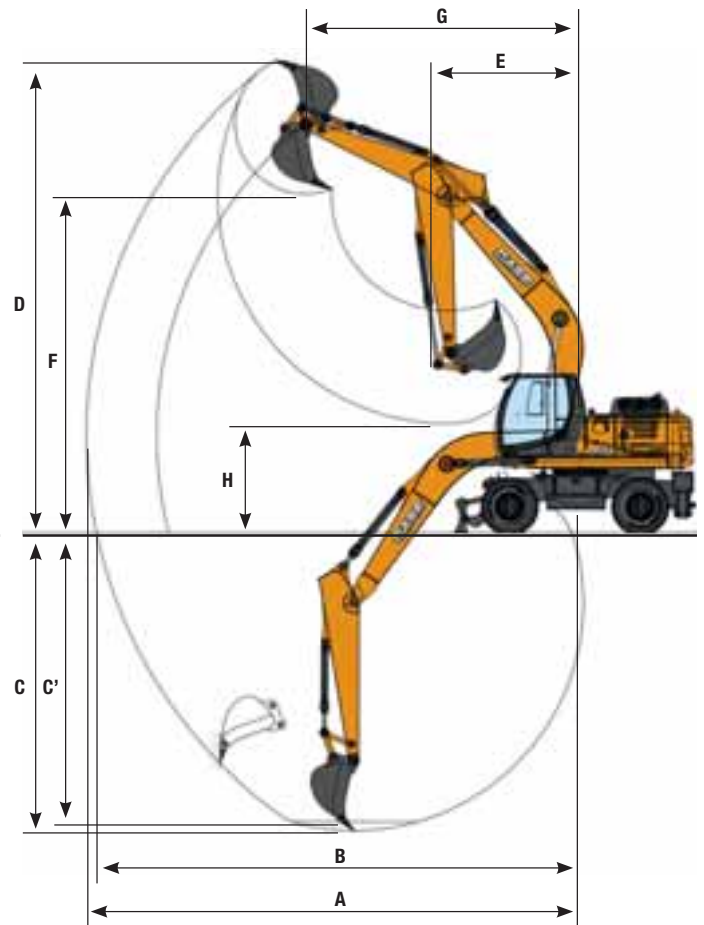
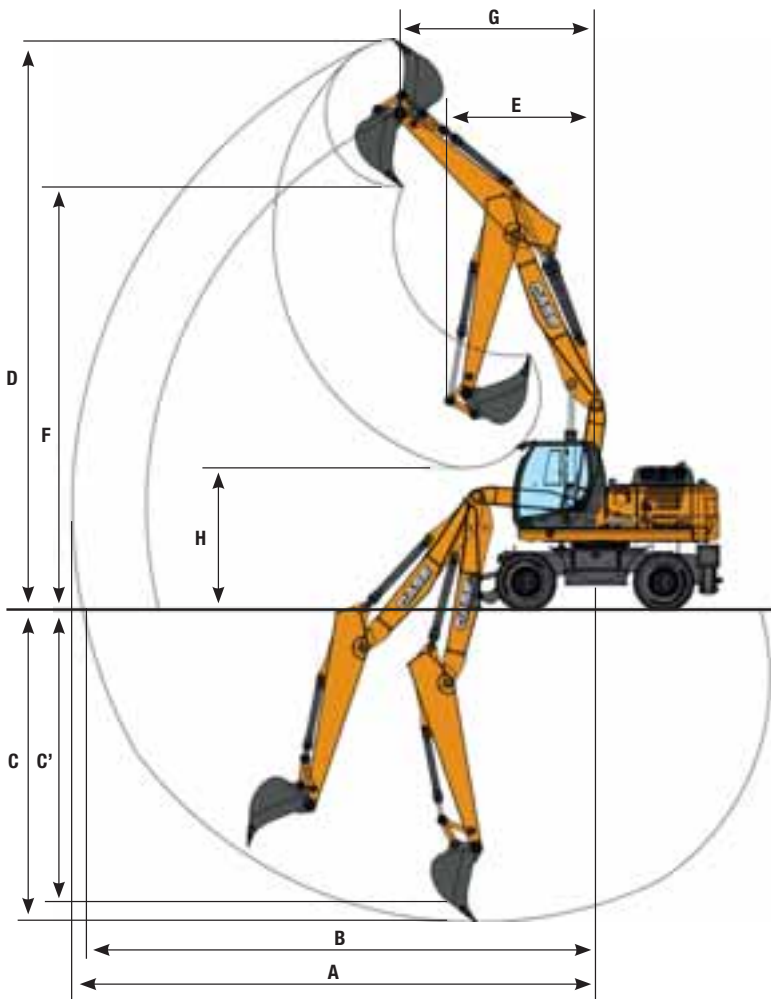
2,55 axle width include bucket 480 kg and quick coupler 250 kg (with 10.00-20)

	TRIPLE ARTICULATION			MONOBOOM		
	Arm 2.20 m	Arm 2.60 m	Arm 3.10 m	Arm 2.20 m	Arm 2.60 m	Arm 3.10 m
Rear blade	17100 kg	17150 kg	17220 kg	16950 kg	17000 kg	17070 kg
Stabilizers	17400 kg	17450 kg	17520 kg	17250 kg	17300 kg	17370 kg
Blade and stabilizers	18000 kg	18050 kg	18120 kg	17850 kg	17900 kg	17970 kg
Stabilizers rear and front	18400 kg	18450 kg	18520 kg	18250 kg	18300 kg	18370 kg

Performance data WX168

TRIPLE ARTICULATION

MONOBOOM



	TRIPLE ARTICULATION			MONOBOOM		
	Arm 2.20 m	Arm 2.60 m	Arm 3.10 m	Arm 2.20 m	Arm 2.60 m	Arm 3.10 m
A Max. digging reach	8950 mm	9290 mm	9780 mm	8840 mm	9150 mm	9630 mm
B Max. digging reach at ground level	8730 mm	9080 mm	9580 mm	8620 mm	8940 mm	9430 mm
C Max. digging depth	4910 mm	5290 mm	5790 mm	4940 mm	5330 mm	5840 mm
C' Max. depth of cut for 8' level bottom	4800 mm	5180 mm	5690 mm	4710 mm	5120 mm	5660 mm
D Max. digging height	9970 mm	10190 mm	10580 mm	8900 mm	8980 mm	9270 mm
E Min. front swing radius	3060 mm	2810 mm	2870 mm	3340 mm	2950 mm	2860 mm
F Max. loading height	7220 mm	7450 mm	7840 mm	6280 mm	6370 mm	6650 mm
G Front swing radius at max height	3060 mm	3400 mm	3710 mm	4540 mm	4930 mm	4540 mm
H Max. loading height (arm retracted)	3660 mm	3130 mm	2630 mm	3070 mm	2640 mm	2140 mm

Digging force - ISO WX168

	Arm 2.20 m	Arm 2.60 m	Arm 3.10 m
Arm digging force	83 kN	70 kN	61 kN
- with auto power boost	90 kN	76 kN	67 kN
Bucket digging force	113 kN	113 kN	113 kN
- with auto power boost	123 kN	123 kN	123 kN

Lifting capacity WX168

MONO BOOM - DIPPERSTICK 2.20 m

All the lift capacity values are in tonnes and without bucket. As per ISO 10567 the indicated load is no more than 87% of hydraulic system lifting capacity or 75% of static tipping load. Values marked with an asterisk are limited by the hydraulic system.

REAR BLADE UP

Long. 360°	RADIUS OF LOAD										
	3.0 m		4.5 m		6.0 m		AT MAX REACH		m		
+7.5 m							4.6*	4.1	4.7		
+6.0 m					4.1	2.7	4.0	2.6	6.1		
+4.5 m			6.4	4.1	4.0	2.6	3.2	2.1	7.0		
+3.0 m			5.9	3.7	3.9	2.5	2.8	1.8	7.4		
+1.5 m			5.6	3.4	3.7	2.3	2.7	1.7	7.5		
0 m			5.4	3.3	3.6	2.2	2.8	1.8	7.2		
-1.5 m	9.3*	6.0	5.4	3.3	3.6	2.2	3.2	2.0	6.6		
-3.0 m	9.1*	6.2	5.5	3.4			4.1	2.6	5.5		

FRONT BLADE+REAR STAB. DOWN

Long. 360°	RADIUS OF LOAD										
	3.0 m		4.5 m		6.0 m		AT MAX REACH		m		
+7.5 m					4.7*	4.7*	4.2*	4.2*	6.1		
+6.0 m					6.6*	6.6*	5.5*	4.6	4.1*	3.7	7.0
+4.5 m			8.0*	6.9	6.1*	4.5	4.3*	3.3	7.4		
+3.0 m			9.1*	6.5	6.6*	4.3	4.7*	3.1	7.5		
+1.5 m			9.3*	6.4	6.7*	4.2	5.4*	3.3	7.2		
0 m			9.3*	6.4	6.7*	4.2	5.4*	3.3	7.2		
-1.5 m	9.3*	9.3*	8.6*	6.4	6.3*	4.2	5.5*	3.7	6.6		
-3.0 m	9.1*	9.1*	6.8*	6.5			5.2*	4.8	5.5		

MONO BOOM - DIPPERSTICK 2.60 m

REAR BLADE UP

Long. 360°	RADIUS OF LOAD										
	3.0 m		4.5 m		6.0 m		7.5 m		AT MAX REACH		m
+7.5 m									3.3*	3.3*	5.2
+6.0 m					4.1*	2.8			3.0*	2.4	6.5
+4.5 m			6.1*	4.2	4.1	2.7			3.0*	1.9	7.3
+3.0 m			6.0	3.8	3.9	2.5	2.8	1.8	2.7	1.7	7.7
+1.5 m			5.6	3.5	3.7	2.4	2.7	1.7	2.6	1.6	7.8
0 m	5.0*	5.0*	5.4	3.3	3.6	2.2	2.6	1.7	2.6	1.6	7.5
-1.5 m	8.7*	5.9	5.4	3.2	3.6	2.2			2.9	1.8	7.0
-3.0 m	10.2*	6.1	5.5	3.3					3.7	2.3	6.0

FRONT BLADE+REAR STAB. DOWN

Long. 360°	RADIUS OF LOAD												
	3.0 m		4.5 m		6.0 m		7.5 m		AT MAX REACH		m		
+7.5 m					4.1*	4.1*			3.3*	3.3*	5.2		
+6.0 m					6.1*	6.1*	5.2*	4.7	3.0*	3.0*	6.5		
+4.5 m			7.6*	7.0	5.8*	4.5	3.9*	3.2	3.1*	3.1	7.7		
+3.0 m			8.8*	6.6	6.4*	4.3	4.8*	3.1	3.4*	3.0	7.8		
+1.5 m			5.0*	5.0*	9.3*	6.4	6.7*	4.2	4.3*	3.1	3.9*	3.0	7.5
0 m			8.7*	8.7*	8.8*	6.3	6.5*	4.1			5.0*	3.4	7.0
-1.5 m			10.2*	10.2*	7.4*	6.4					5.2*	4.3	6.0

MONO BOOM - DIPPERSTICK 3.10 m

REAR BLADE UP

Long. 360°	RADIUS OF LOAD										
	3.0 m		4.5 m		6.0 m		7.5 m		AT MAX REACH		m
+7.5 m									2.4*	2.4*	5.9
+6.0 m					3.7*	2.8			2.2*	2.1	7.1
+4.5 m					4.1	2.7	2.8	1.8	2.2*	1.7	7.8
+3.0 m	10.9*	7.0	6.1	3.9	3.9	2.5	2.8	1.8	2.3*	1.5	8.2
+1.5 m			5.7	3.5	3.7	2.3	2.7	1.7	2.3	1.4	8.3
0 m	5.2*	5.2*	5.4	3.2	3.6	2.2	2.6	1.6	2.3	1.5	8.0
-1.5 m	7.8*	5.7	5.3	3.2	3.5	2.1	2.6	1.6	2.6	1.6	7.5
-3.0 m	10.7	5.9	5.3	3.2	3.5	2.2			3.1	1.9	6.6
-4.5 m			5.4*	3.4					5.2*	3.2	4.6

FRONT BLADE+REAR STAB. DOWN

Long. 360°	RADIUS OF LOAD										
	3.0 m		4.5 m		6.0 m		7.5 m		AT MAX REACH		m
+7.5 m									2.4*	2.4*	5.9
+6.0 m					3.7*	3.7*			2.2*	2.2*	7.1
+4.5 m					4.4*	4.4*	3.0*	3.0*	2.2*	2.2*	7.8
+3.0 m	10.9*	10.9*	6.9*	6.9*	5.5*	4.5	4.0*	3.2	2.3*	2.3*	8.2
+1.5 m			8.4*	6.6	6.1*	4.3	5.0*	3.1	2.5*	2.5*	8.3
0 m	5.2*	5.2*	9.1*	6.3	6.6*	4.1	5.1*	3.0	2.8*	2.7	8.0
-1.5 m	7.8*	7.8*	9.0*	6.3	6.5*	4.1	3.5*	3.0	3.5*	3.0	7.5
-3.0 m	11.4*	11.4*	7.9*	6.3	5.7*	4.1			4.9*	3.6	6.6
-4.5 m			5.4*	5.4*					5.2*	5.2*	4.6

REAR BLADE DOWN

Long. 360°	RADIUS OF LOAD										
	3.0 m		4.5 m		6.0 m		AT MAX REACH		m		
+7.5 m							4.6*	4.6	4.7		
+6.0 m					4.7*	3.1	4.2*	3.0	6.1		
+4.5 m			6.6*	4.7	5.5*	3.0	4.1*	2.4	7.0		
+3.0 m			8.0*	4.3	6.1*	2.8	4.3*	2.1	7.4		
+1.5 m			9.1*	3.9	6.2	2.7	4.4	2.0	7.5		
0 m			9.3*	3.8	6.1	2.6	4.6	2.0	7.2		
-1.5 m	9.3*	7.1	8.6*	3.8	6.1	2.6	5.3	2.3	6.6		
-3.0 m	9.1*	7.3	6.8*	3.9			5.2*	3.0	5.5		

FRONT+REAR STAB. DOWN

Long. 360°	RADIUS OF LOAD										
	3.0 m		4.5 m		6.0 m		AT MAX REACH		m		
+7.5 m							4.6*	4.6*	4.7		
+6.0 m					4.7*	4.7*	4.2*	4.2*	6.1		
+4.5 m			6.6*	6.6*	5.5*	5.5*	4.1*	4.1*	7.0		
+3.0 m			8.0*	8.0*	6.1*	5.5	4.3*	4.0	7.4		
+1.5 m			9.1*	8.3	6.6*	5.3	4.7*	3.9	7.5		
0 m			9.3*	8.1	6.7*	5.2	5.4*	4.0	7.2		
-1.5 m	9.3*	9.3*	8.6*	8.1	6.3*	5.2	5.5*	4.5	6.6		
-3.0 m	9.1*	9.1*	6.8*	6.8*			5.2*	5.2*	5.5		

REAR BLADE DOWN

Long. 360°	RADIUS OF LOAD										
	3.0 m		4.5 m		6.0 m		7.5 m		AT MAX REACH		m
+7.5 m									3.3*	3.3*	5.2
+6.0 m					4.1*	3.1			3.0*	3.0*	6.5
+4.5 m			6.1*	4.8	5.2*	3.0			3.0*	2.2	7.3
+3.0 m			7.6*	4.4	5.8*	2.9	3.9*	2.0	3.1*	1.9	7.7
+1.5 m			8.8*	4.0	6.2	2.7	4.4	2.0	3.4*	1.9	7.8
0 m	5.0*	5.0*	9.3*	3.8	6.1	2.6	4.3*	1.9	3.9*	1.9	7.5
-1.5 m	8.7*	7.0	8.8*	3.8	6.1	2.5			4.8	2.1	7.0
-3.0 m	10.2*	7.2	7.4*	3.8					5.2*	2.6	6.0

FRONT+REAR STAB. DOWN

Long. 360°	RADIUS OF LOAD										
	3.0 m		4.5 m		6.0 m		7.5 m		AT MAX REACH		m
+7.5 m									3.3*	3.3*	5.2
+6.0 m					4.1*	4.1*			3.0*	3.0*	6.5
+4.5 m			6.1*	6.1*	5.2*	5.2*			3.0*	3.0*	7.3
+3.0 m			7.6*	7.6*	5.8*	5.5	3.9*	3.9	3.1*	3.1*	7.7
+1.5 m			8.8*	8.3	6.4*	5.3	4.8*	3.8	3.4*	3.4*	7.8
0 m	5.0*	5.0*	9.3*	8.1	6.7*	5.2	4.3*	3.8	3.9*	3.7	7.5
-1.5 m	8.7*	8.7*	8.8*	8.1	6.5*	5.1			5.0*	4.2	7.0
-3.0 m	10.2*	10.2*	7.4*	7.4*					5.2*	5.2*	6.0

REAR BLADE DOWN

Long. 360°	RADIUS OF LOAD										
	3.0 m		4.5 m		6.0 m		7.5 m		AT MAX REACH		m
+7.5 m									2.4*	2.4*	5.9
+6.0 m					3.7*	3.2			2.2*	2.2*	7.1
+4.5 m					4.4*	3.1	3.0*	2.1	2.2*	1.9	7.8
+3.0 m	10.9*	8.2	6.9*	4.4	5.5*	2.9	4.0*	2.0	2.3*	1.7	8.2
+1.5 m			8.4*	4.0	6.1*	2.7	4.4	1.9	2.5*	1.7	8.3
0 m	5.2*	5.2*	9.1*	3.8	6.1	2.5	4.3	1.9	2.8*	1.7	8.0
-1.5 m	7.8*	6.8	9.0*	3.7	6.0	2.5	3.5*	1.8	3.5*	1.8	7.5
-3.0 m	11.4*	7.0	7.9*	3.7	5.7*	2.5			4.9*	2.2	6.6
-4.5 m			5.4*	3.9					5.2*	3.8	4.6

FRONT+REAR STAB. DOWN

Long. 360°	RADIUS OF LOAD										
	3.0 m		4.5 m		6.0 m		7.5 m		AT MAX REACH		m
+7.5 m									2.4*	2.4*	5.9
+6.0 m					3.7*	3.7*			2.2*	2.2*	7.1
+4.5 m					4.4*	4.4*	3.0*	3.0*	2.2*	2.2*	7.8
+3.0 m	10.9*	10.9*	6.9*	6.9*	5.5*	5.5*	4.0*	3.9	2.3*	2.3*	8.2
+1.5 m			8.4*	8.4	6.1*	5.3	5.0*	3.8	2.5*	2.5*	8.3
0 m	5.2*	5.2*	9.1*	8.1	6.6*	5.1	5.1*	3.7	2.8*	2.8*	8.0
-1.5 m	7.8*	7.8*	9.0*	8.0	6.5*	5.1	3.5*	3.5*	3.5*	3.5*	7.5
-3.0 m	11.4*	11.4*	7.9*	7.9*	5.7*	5.1			4.9*	4.5	6.6
-4.5 m			5.4*	5.4*					5.2*	5.2*	4.6

TELEMATICS



SiteWatch™

The Science Bit

The Case SiteWatch telematics system uses a high-tech control unit mounted on each machine to collate information from that machine and from GPS satellites. This data is then sent wirelessly through the mobile communication networks to the Case Telematics Web Portal.



SiteWatch: Centralised Fleet Control Benefits At Your Fingertips

Measure your true asset availability and optimise it

- Eliminate the “phantom fleet”: SiteWatch allows to identify spare units or under loaded machines on each site.
- Become able to reallocate units where they are more needed.
- Forward Maintenance Planning is easier since the actualised working hours are always available.
- Extend the benefits of SiteWatch to the rest of your fleet: SiteWatch can be installed on the units of other brands as well.

Challenge your Total Cost of Ownership!

- Being able to compare the fuel usage of different machine types will allow you choose the right equipment.
- Save on transport costs with planned and grouped maintenance tasks.
- Peace of mind, optimised uptime and lower repair costs: with preventive maintenance you can for example be alerted if the engine needs to be serviced and avoid a disruptive breakdown.
- Be able to compare your asset Return On Investment on different sites.
- Your equipment is used only during working hours. You can set up alerts so that you know if it is in use during the weekend or at night.
- Integrate with the programmed maintenance package, so that you can be sure every machine is at the right place at the right time.

More Safety, Lower Insurance Premium

- Keep thieves away: dissuade them from attacking your asset because it is geo-localised. SiteWatch is hidden so that thieves can't find it quickly.
- Your fleet is used only where you decide. You can define a virtual fence and receive an email when a machine exits that perimeter.



Standard Equipment

Latest generation FPT Stage III / Tier 3 diesel engine
Direct injection with turbo charger and charge air cooling
Air filter with safety cartridge
Engine filters (oil, fuel and water separator) in remote position
Auto-idling system
Cold starting equipment (-25°C)
Pump management system by power limit control
Electrohydraulic servo control
3-pumps hydraulic system with two service pumps and separate swing pump
Auto Power Boost system
8 selectable power stages with permanent Power Boost in lift stages
Automatic power increase in road travel mode
Automatic battery main switch (coupled to ignition key)
Electronic immobiliser (PIN code)
12 V electrical auxiliary supply in cab
Swing hydrostatic braking
Automatic / permanent swing brake modes
Swing drive with low-wearing disc brake
CIS (CASE intelligent system) : Adjustable swing acceleration (power) and deceleration (brake)
CLM (CASE leveling mode)
Cab according ROPS ISO 12117-2: 2008
FOPS Level 2
Noise-insulated and viscous mounted cab
Tinted safety glazing all around, full up and over windscreen
Sun blinds, large roof window, transparent rain protection
Automatic air conditioning

Rear View Camera with dedicated screen
Radio with Bluetooth
Control panel with LCD monitor integrating error diagnosis function and analogical gauges for engine cooling temperature and fuel level
Ergonomic design of arm rests and foot pedals
Air suspension seat individually adjustable for height and incline
Consoles adjustable for height and length
Forward/Reverse shifting on right joystick
Centralised and independent control of blade and stabilizers on right joystick
2 front headlights (cab mounted)
Road travel lights (front and rear)
Robust, shiled arc-welded, modular chassis in box section design
Power Shift gear box with manual / automatic gear shifting
Heavy duty axles with brakes for play-free work
Hydrostatic travel braking
Creeper speed
Large toolbox under the step (right side)
Encased ball bearing slew ring with long-life lubrication
Manual / automatic axle locking system
Electric diesel filling system
Safety valves on boom cylinders
Cylinders with end-stroke damping system
Long interval greasing bushings (500 hours)
Centralized greasing nipples on upperframe and boom
2 working lights on boom

Options

Hydraulic circuit for hammer / shears
Hydraulic circuit for grab rotation 22 l/min - ON/OFF control
Hydraulic circuit for grab rotation 80 l/min - PROPORTIONAL Control
Quick coupler provision on upperframe
Biodegradable hydraulic oil (Panolin)
Front Guard Protective system FGPS
20 km/h speed
35 km/h speed
Single or twin tyres
Dozer blade with parallel guidance

Heavy duty stabilizers with cylinder protection guards
Transport holder for clamshell grab
Blade cylinders protection guard
One piece boom, triple articulation (2 piece boom)
Arms: WX148: 2.10 - 2.45 - 2.95 m
WX168: 2.20 - 2.60 - 3.10 m
Object handling kit with safety valve on arm cylinder, overloading warning device and load hook or load eye.

Standard and optional equipment shown can vary by country.

Worldwide Case Construction Equipment Contact Information

EUROPE:

via Plava, 80
10135 TORINO - ITALIA

AFRICA/MIDDLE EAST/CIS:

Riva Paradiso 14
6902 Paradiso - SWITZERLAND

NORTH AMERICA/MEXICO:

700 State Street
Racine, WI 53404 U.S.A.

LATIN AMERICA:

Av. General David Sarnoff 2237
32210 - 900 Contagem - MG
Belo Horizonte BRAZIL

ASIA PACIFIC:

Unit 1 - 1 Foundation Place - Prospect
New South Wales - 2148 AUSTRALIA

CHINA:

No. 29, Industrial Premises, No. 376,
De Bao Road, Waigaoqiao Ftz, Pudong,
SHANGHAI, 200131, P.R.C.

CASE Construction Equipment

CNH UK Ltd
Unit 4, Hayfield Lane Business Park,
Field Lane, Auckley, Doncaster,
DN9 3FL
Tel. 00800-2273-7373
Fax +44 1302 802829



CASE Customer Assistance
00800-2273-7373

The call is free from a land line. Check in advance with your Mobile Operator if you will be charged.



NOTE: Standard and optional fittings can vary according to the demands and specific regulations of each country. The illustrations may include optional rather than standard fittings - consult your Case dealer. Furthermore, CNH reserves the right to modify machine specifications without incurring any obligation relating to such changes.

Conforms to directive 98/37/CE

